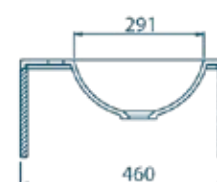
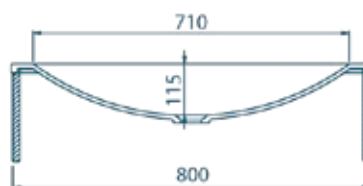
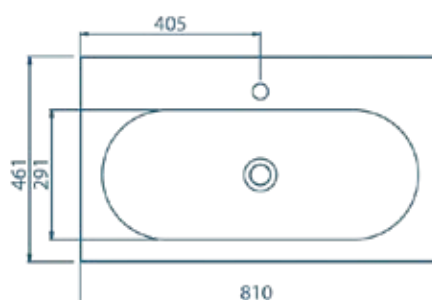


TECHNICAL DATA SHEET FLOW BQF80-601



Product Dimensions

| | |
|-------------------|-----|
| Height (mm): | 132 |
| Width (mm): | 810 |
| Depth (mm): | 461 |
| Nett Weight (kg): | 9,0 |

Packaging Dimensions

| | |
|--------------------|------|
| Height (mm): | 275 |
| Width (mm): | 920 |
| Depth (mm): | 560 |
| Gross Weight (kg): | 11,4 |

Packaging Data

| | |
|------------------|---------------------|
| Box Color: | White Cardboard Box |
| Box Qty: | 1 |
| Label Size (mm): | 150x100 |
| Label Color: | White Label |
| Label Qty: | 2 |
| Barcode: | 4810461040981 |

Washbasins

| | |
|------------------------|--------------|
| Tap hole: | Yes Tap hole |
| Template: | Not Required |
| Overflow Inc: | Yes |
| Inner Bowl Depth (mm): | 115 |

Product Details

| | |
|----------------------|-------------------|
| Country of Origin: | Lithuania |
| Fitting Instruction: | Yes |
| Certification: | CE |
| Product Material: | Granite Silicsana |
| Product Color: | Black metallic |
| Fixing Supplied: | Not Applicable |