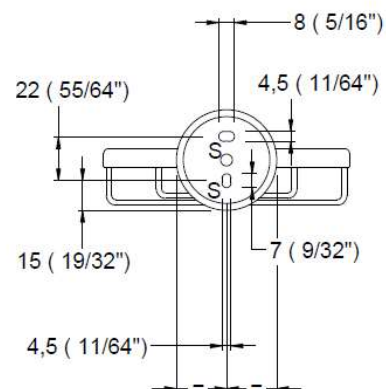
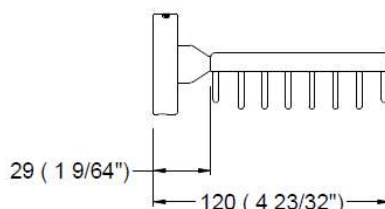
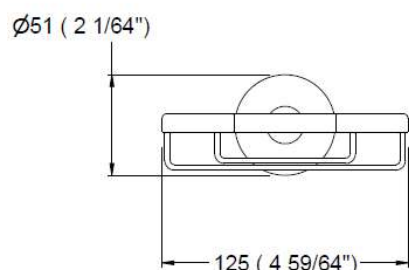




GW05 72 04 03

Soap basket "NIMBUS series"

BACK VIEW WALL MOUNTING



Dimensions: ±3%

TECHNICAL DATASHEET

COMPONENTS AND MATERIALS

- Concealed wall plate – AISI 304 stainless steel. Secured to wall with two screws.
- Main body or rods basket – AISI 304 stainless steel, 2,5mm thickness. Matt black powder coat (RAL 9004), 115 µm thickness. Secured to wall plate with one Allen stainless steel screw.
- Fixings set - Two Ø 6mm wall plugs, two Ø 4mm screws and one Allen key.

OPERATION

Suitable for hotel or residential bathrooms. No specific operation instructions.

MOUNTING

Loosen main body bottom setscrew so wall plate can be removed. Drill two Ø 6mm holes to suit provided wall plugs (6mm) and screws (4mm) at S points indicated in technical design. Secure wall plate to the wall. Place main body and tighten setscrew at the bottom so to secure with wall plate.

ARCHITECTURAL SPECIFICATION

"Nimbus series" soap holder. This product consists of the rods basket that houses the bar of soap and the rear round disk that covers the fixing concealed plate wall. The product is made of AISI 304 stainless steel and shall be RAL 9004 matt black powder coated with a thickness of 115 µm. Edges should be smooth for user safety.

SPARE PARTS

GW05 72 90 00 – Fixings set