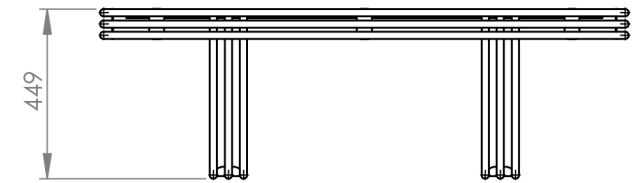
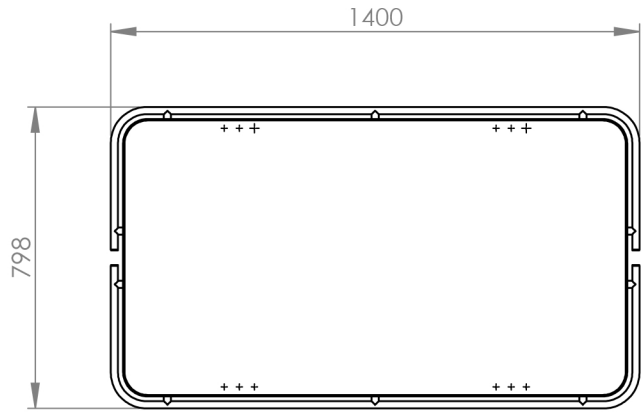
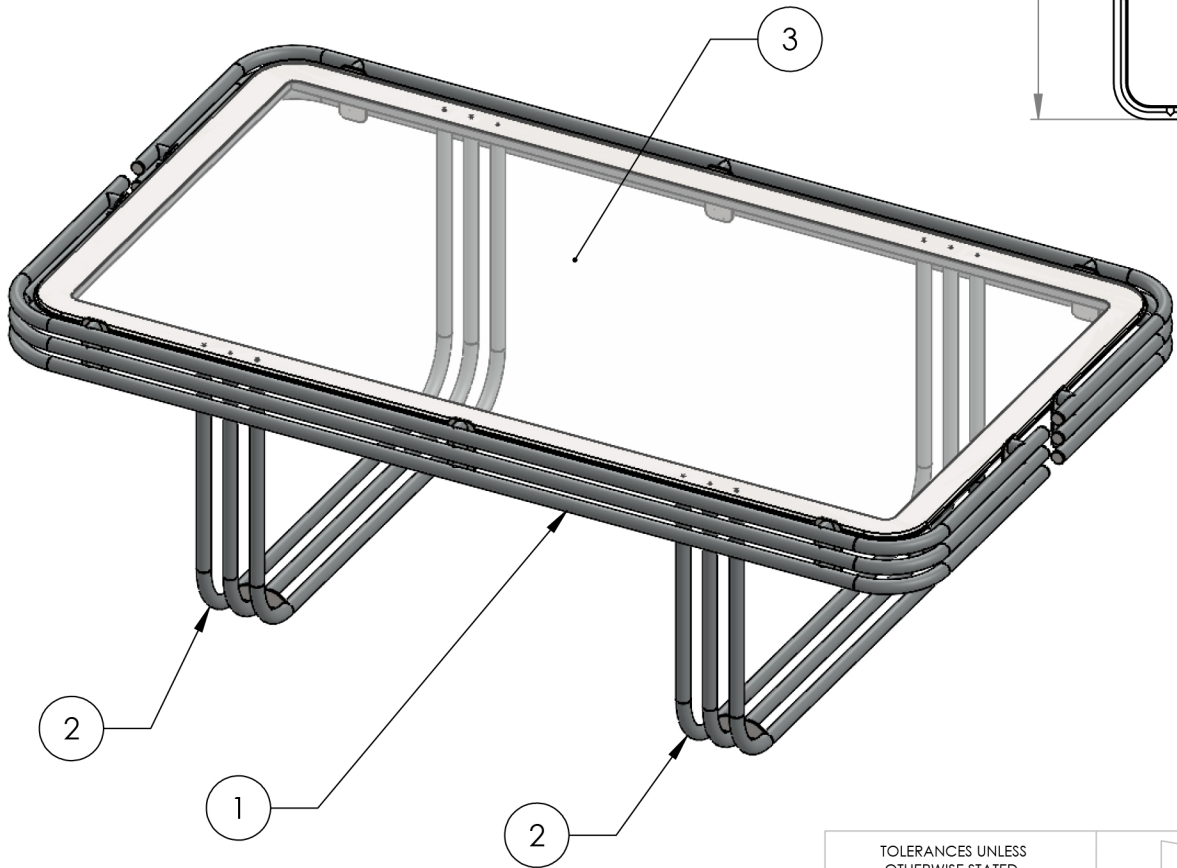




ITEM NO.	PART NUMBER	DESCRIPTION	QTY.
1	SB-MAN-TBL-01	Table Top Assembly	1
2	SB-MAN-TBL-02	Table Leg Assembly	2
3	SB-MAN-TBL-03	Table Glass	1

SCREW LEG ASSEMBLES TO TOP ASSEMBLY USING 12 OFF STAINLESS M5 X 20 C'SUNK SOCKET HEAD SCREWS



<p>TOLERANCES UNLESS OTHERWISE STATED.</p> <p>LINEAR: 0 - 250mm +/- 0.25mm OVER 250mm +/- 0.5mm ANGULAR: +/- 0.5deg</p>	<p>MATERIAL: See Parts</p>	<p>TITLE: Table Assembly</p>	
		<p>DWG/Part NO. HARBML-COFFEE TABLE</p>	
<p>SCALE 1:20 SHEET 1 OF REVISION</p>		<p>A4</p>	