

# PRODUCT DATA SHEET

## Bella 500 Floor Cabinet

### Gloss White

Product Code: PAINT-BELLA-500FLOORCAB-GWTE



#### Product Measurements

Product Weight:	26.4kg
Product Width:	447mm
Product Height:	800mm
Product Depth:	496mm
Product Length:	N/A

#### Product Transportation

Barcode:	5060713721413
Country of Origin:	POL
Comodity Code:	9403609000

#### Primary Packed Measurements

Packaged Weight:	28.2kg
Packaged Length:	530mm
Packaged Width:	470mm
Packaged Height:	825mm

#### Packaging Weight

Card:	1.3kg
Paper:	N/A
Wood:	N/A
Plastic:	0.013kg

#### General Information

Construction Material:	Melamine
Installation Type:	Floor Mounted
Colour/Finish:	Gloss White

#### Furniture Attributes

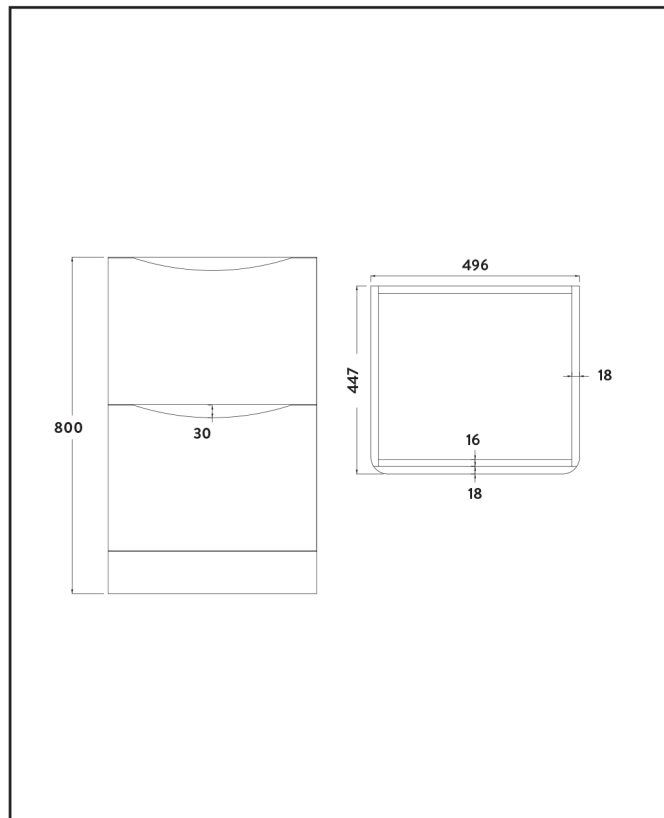
Supplied Fully Assembled:	Yes
Numbers of Drawers:	2
Number of Doors:	0
Soft Close Doors/Drawers:	Yes
Moisture Resistant:	Yes
Internal Shelves:	0
Door Opening Width:	N/A
Draw Opening Distance:	355mm
Advised Concealed Cistern:	N/A
False Draws:	No
Number of False Draws:	N/A
Hinge Location:	N/A
Compatible Furniture Code:	BELLA
Compatible Basin Part Code:	BELLA-500BASIN BELLA-COUNTERTOP-500-GWTE

#### Handles

Handle Style:	Recessed Cut Out
Handle Finish:	N/A
Handle Material:	N/A
Number of Handles:	2

#### Compliance DOP

HBD0C059 / HBD0C058



**Dimensions**  
(measurements in mm)

**CNM Online**

**T:** 01977 663331 **E:** cnmservice@cnmonline.co.uk

Unit 2, North Point Business Park, Selby Road, Eggborough, North Yorkshire, DN14 0JT