

Installation instructions for WASHBASINS & SINKS

**BQC, BQA, BQO, BQS, BQM, BQW, BQF,
SQQ, SQ, SR series**



**Diamanto
TPD101-700AWP**

BQC49



BQC50



BQC53



BQA60



BQA80



BQA100



BQO400



BQS590



BQM560



BQW520



BQF60



BQF80



BQF100



SR100



SQQ100

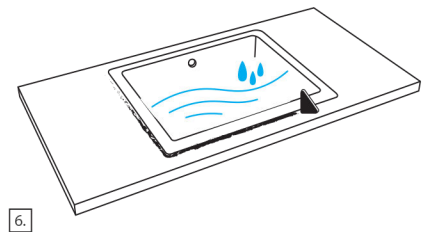
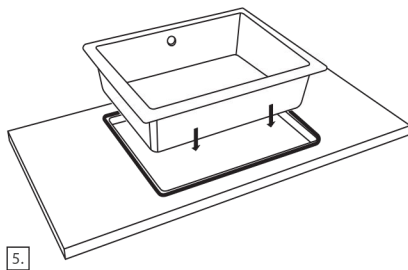
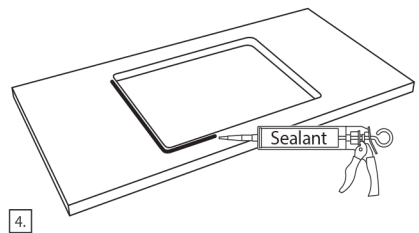
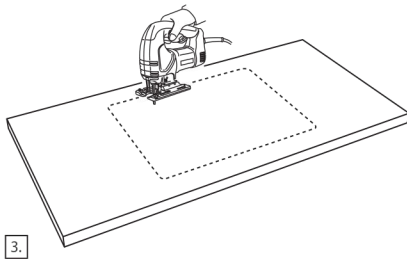
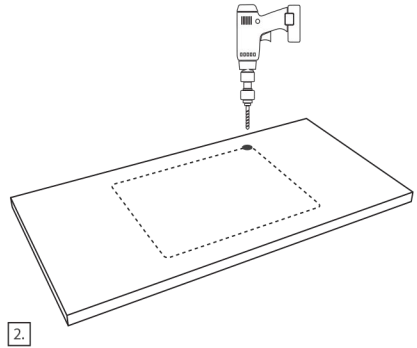
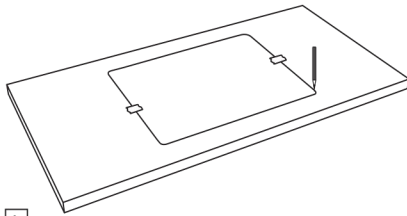


SQ101



BQC

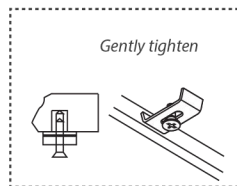
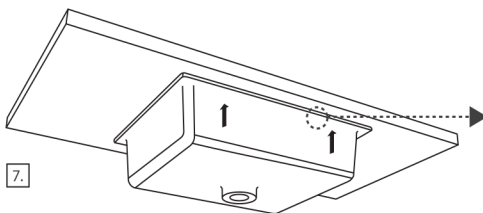
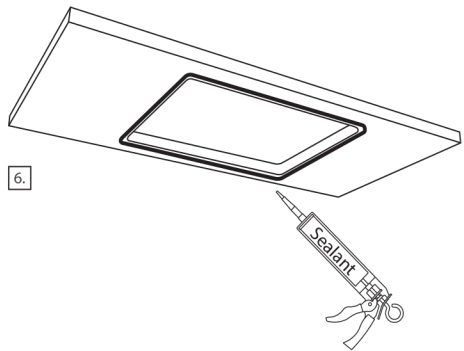
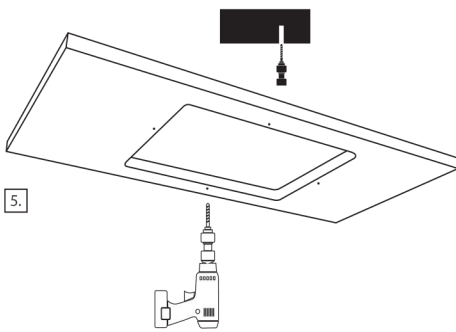
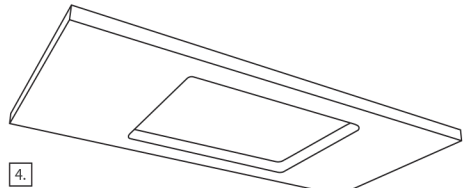
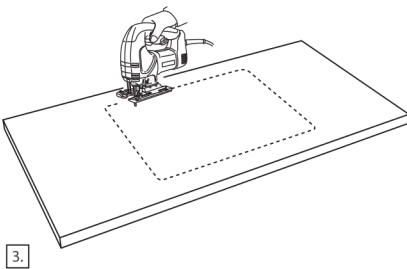
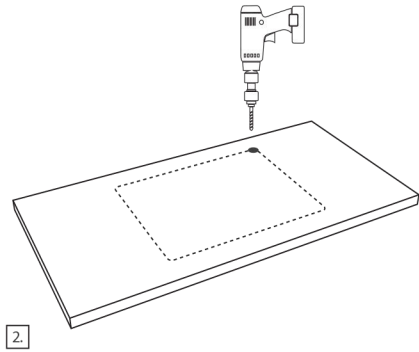
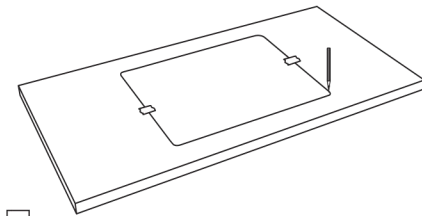
Installation over the countertop



Add water to the washbasin and allow the sealant to dry completely for 5 hours.

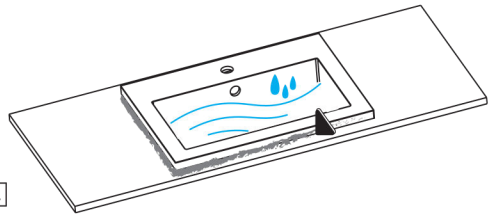
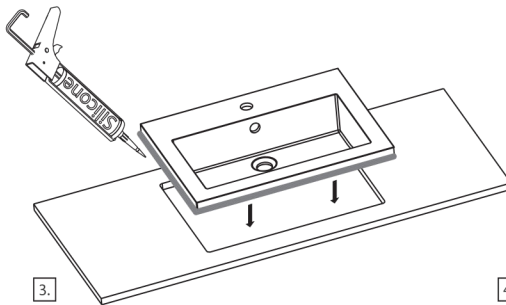
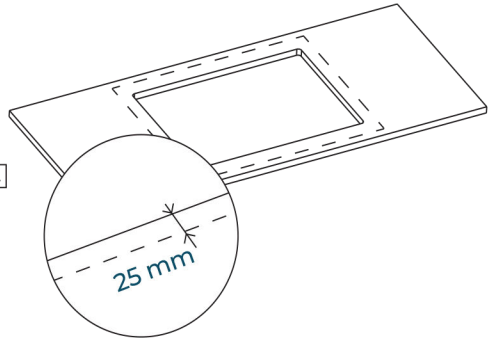
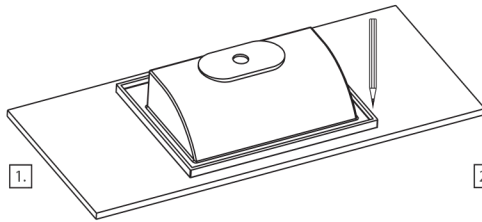
BQC

Installation under the countertop



BQA, BQF

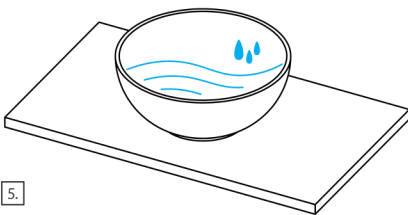
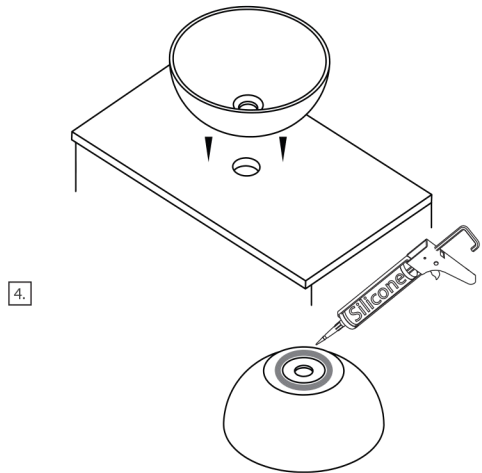
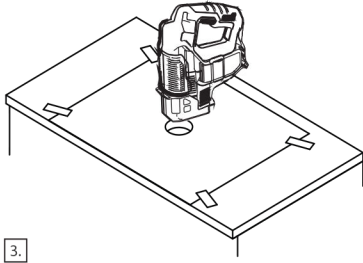
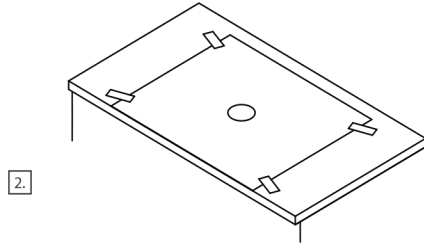
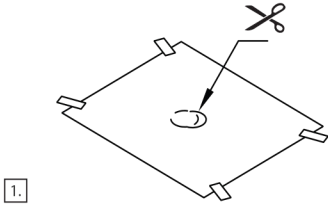
Installation over the countertop



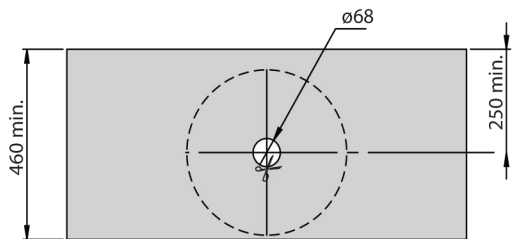
Add water to the washbasin and allow the sealant to dry completely for 5 hours.

BQQ, BQS, BQM

Installation over the countertop

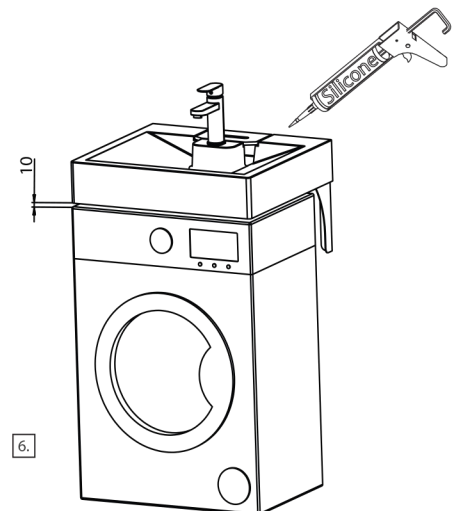
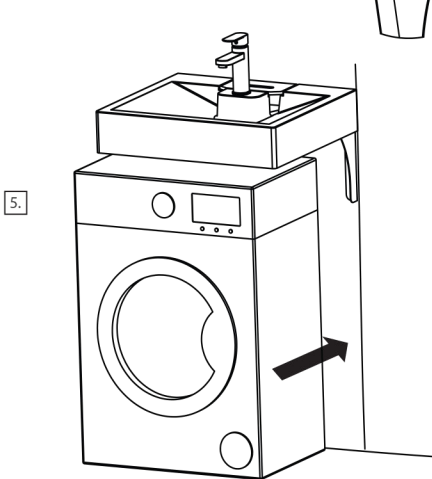
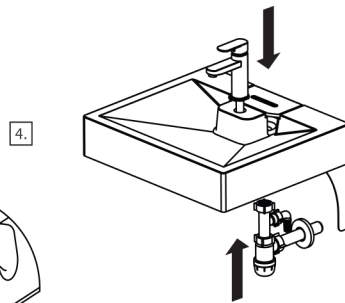
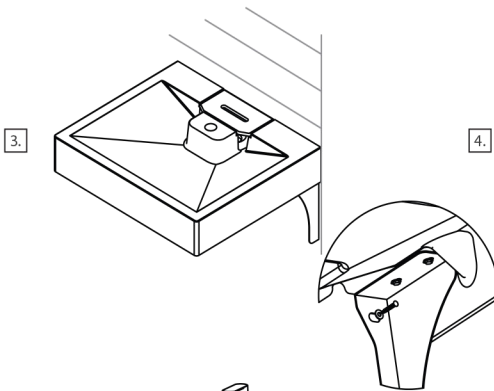
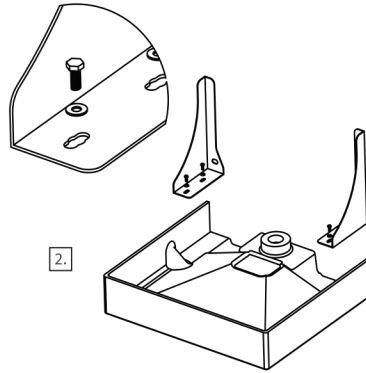
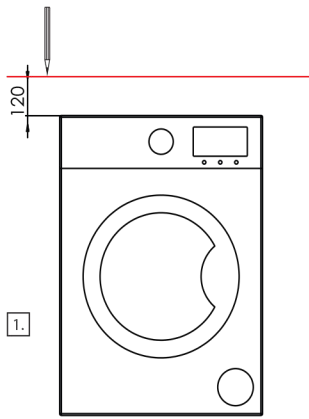


Add water to the washbasin and allow the sealant to dry completely for 5 hours.



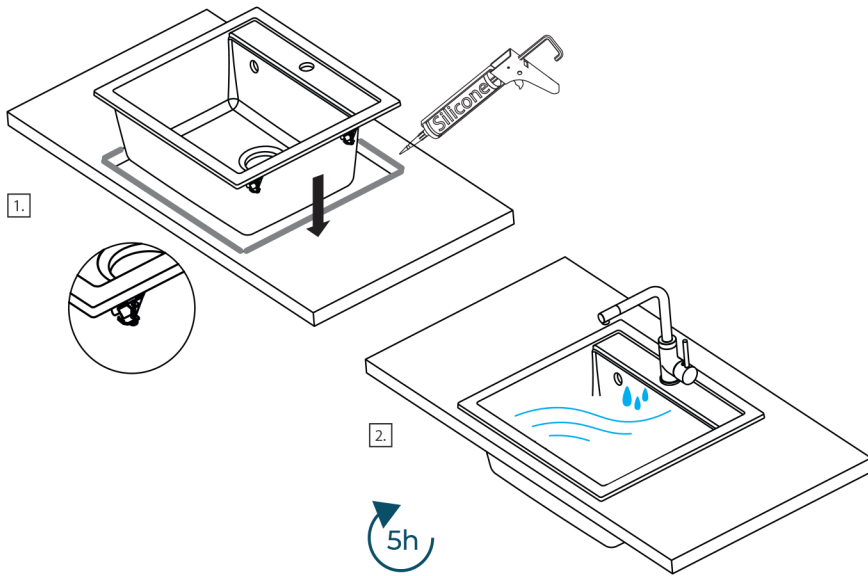
BQW

Installation above the washig machine

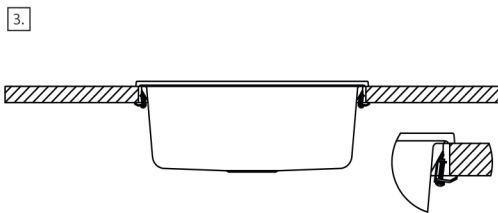


SQQ100, SQ101, SR100

Installation over the countertop



Add water to the sink and allow the sealant to dry completely for 5 hours.



! ATTENTION Read this manual carefully before using the washbasin. Follow the provided instructions and use the new product successfully.

! WE RECOMMEND to use professional service only, if you are unfamiliar with this type of installation.

! WARNING: Before installing the washbasin, make sure that it is not damaged and make sure that the countertop you are going to use is strong enough, does not absorb moisture, and has a thickness of over 3 cm. Get to know the qualities of the countertop material (granite, stone, marble), which may change some of the installation features.

! NOTE: If you detected any damages before installing the washbasin, don't install it.

! IMPORTANT Please note that the template is provided as a guideline. To avoid mistakes, measure the length and width of the washbasin, turn it over and mark the dimensions with the marker. This type of process will ensure a more precise cut.

! ATTENTION Seller is not responsible for any damages of the washbasin during installation.

The washbasins installed over and under the countertop are suitable for all countertops and are easy to install in the traditional manner.

Before using the washbasin, please carefully read the following instructions.

Installation

1. Select the installation place for the washbasin. Make sure that the surface is completely flat.
 - 1.1 Place the washbasin on the countertop at the selected place.
 - 1.2 Outline the washbasin with a marker.
2. Cutting contour must be 25 mm shorter than outline of the washbasin.
- 2.1 Use a suitable tool to cut an opening in the countertop following the outline.
3. Cover the edges of the washbasin with elastic sealant. Make sure they are evenly covered. Carefully place the washbasin in the prepared opening in the countertop. Check whether it is placed correctly.
4. Carefully remove excess elastic sealant.

5 YEAR WARRANTY

The manufacturer takes the responsibility for a whole warranty period of washbasin defects that appeared during the production time. In case of detecting such defects, return your washbasin to the seller. Keep purchasing documents during the whole warranty period and attach it to the washbasin returned.

Warranty is not valid:

1. For defects, appeared because of wrong installation and maintenance of a washbasin.
2. For mechanical surface damage during the usage time of the product.

Care

TURTL® washbasins are safe, comfortable and durable, meeting the highest quality standards. The surface of the manufactured washbasins is smooth, shiny and resistant to dirt. Although the surface of the washbasin is maximally protected from possible external influences, daily and periodic maintenance of the washbasin will allow it to be used for a longer period of time and will help keep it hygienic.

1. For a proper care use regular cleanser without abrasive particles for the surface of the washbasin using a soft sponge or cloth.
2. Rinse it with warm water.
3. Dry out and clean water stains from the surface.
- From time to time, clean the washbasin with recommended AQUASANITA LIME cleanser.
4. Do not use abrasive detergents as it might cause the damage of the washbasin surface.
5. In the event of difficult stains (mascara, lipstick, hair dye and other cosmetics), we recommend that you wash them immediately with warm water and clean with non-alkaline and abrasive free cleansers. After removing dirt from the washbasin, dry the surface.
6. Not recommended leaving hot objects (hair styling devices, etc.) on the washbasin surface.

CNM Online

T: 01977 663331 E: cnmservice@cnmonline.co.uk

Unit 2, North Point Business Park, Selby Road,
Eggborough, North Yorkshire, DN14 0JT

www.turtl-sinks.com