

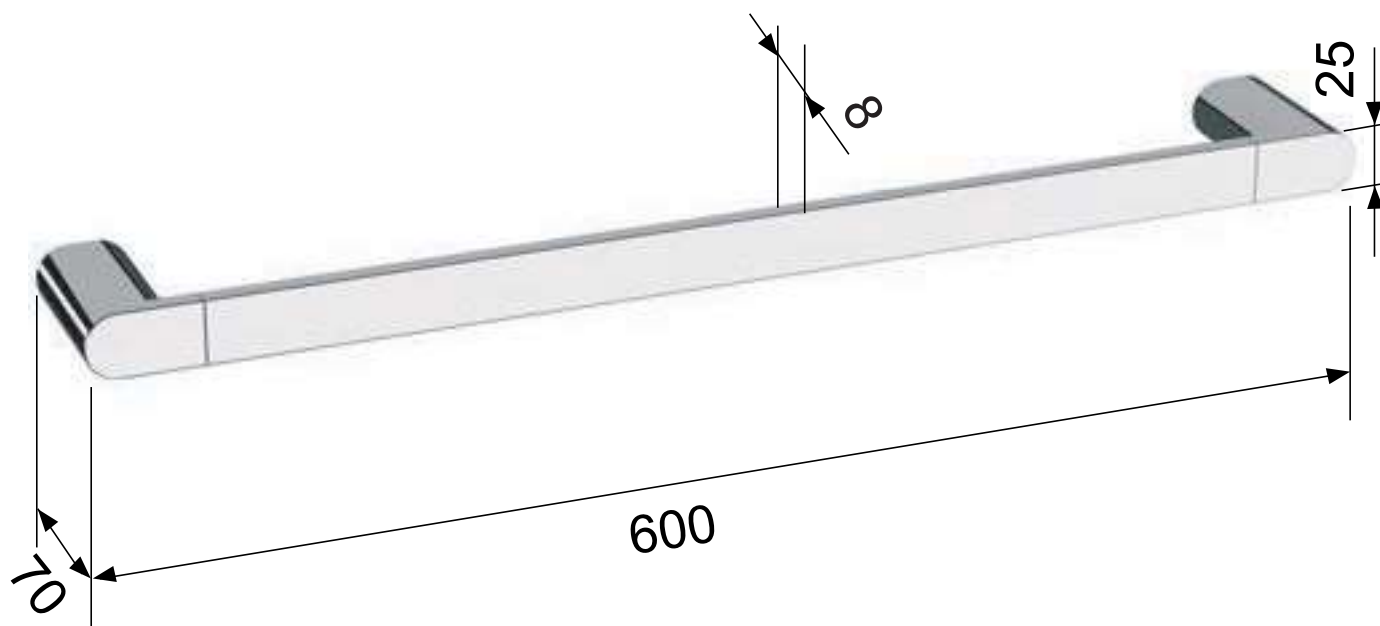


DANIEL

TECHNICAL FEATURES

ART. COD.

VGPS975



MATERIALI / MATERIALS

OTTONE CROMATO / CHROME PLATED BRASS

CROMATURA / CHROME PLATING

UNI EN 248