

PRODUCT DATA SHEET

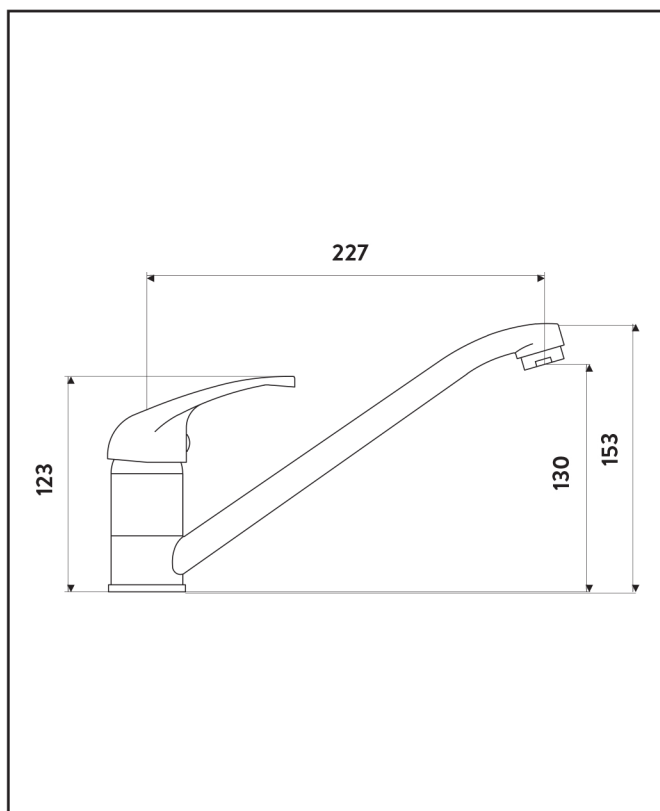
Aruba Brushed Nickel Finish

Product Code: NICK34



Product Name	NICK34
Product Description	Aruba Kitchen Tap - Brushed Nickel
Product Transportation	
Barcode	5060500647957
Country of origin	CH
Commodity code	8481801190
Product Measurements	
Product Weight (KG)	0.675
Product Width (mm)	44
Product Height (mm)	153
Product Depth (mm)	227
Product Length (mm)	260
Primary Packed Measurements	
Packaged Weight	0.8
Packed Length	30
Packed Width	13
Packed Height	6.5
Packaging Weights	
Card (kg)	0.224
Paper (kg)	11
Wood (kg)	n/a
Plastic (kg)	0.004
Compliance DOP	HBDOC007, HBDOC008

General Information	
Construction Material	Brass, Stainless Steel
Installation type	Deck Mounted
Colour / Finish	Brushed Nickel
Tap / Shower Attributes	
WRAS Approved	No
TMV Approved	No
Minimum Operating Pressure (bar)	0.1
Maximum Operating Pressure (bar)	5
Flexible Tails Included	Yes
Number of tap holes required	1
Handle Type	Lever
Swivel Spout	Yes
Inlet Connection	1/2" M10
Outlet Connection	N/a
Tap Hole Diameter (mm)	35
Tap Type description	Mono Mixer
Includes Waste	No
Valve / Cartridge Type	35mm Cartridge
Cartridge Spare code	T5302-08
Flow Rates	
0.2bar (l/min)	2.6
0.5bar (l/min)	4.2
1bar (l/min)	5.6
2bar (l/min)	7.6
3bar (l/min)	9.3



Dimensions
(measurements in mm)

CNM Online

T: 01977 663331 E: cnmservice@cnmonline.co.uk

Unit 2, North Point Business Park, Selby Road, Eggborough, North Yorkshire, DN14 0JT