



Bull Manual Angled Black Gloss Radiator Valves (Pair)



Connection Size	
Valve to Radiator	1/2" BSPT
Valve to Pipe	15 mm Compression

Allen Key size	
To adjust Lock-Shield	Done by Hand
To fit Coupler to Radiator	12mm
Allen Keys are not included	

Pressure Ratings	
Max Test Pressure	N/A
Max Operating Pressure	10 Bar
Max Differential Pressure	1 Bar
Pressure Drop Value (Kvs)	N/A

Kvs value is the metric measure for the flow of a fully opened valve. It is defined as: The volume flow in cubic metres per hour of water at a temperature of between 5° and 40° Celsius with a pressure drop across the valve of 1 bar.

Flow Ratings	
Normal Flow Rate	N/A
Max Flow Rate	N/A

Temperature Ratings	
Max Test Temperature	N/A
Max Operating Temperature	100°C
Temperature Adjustment Range	N/A

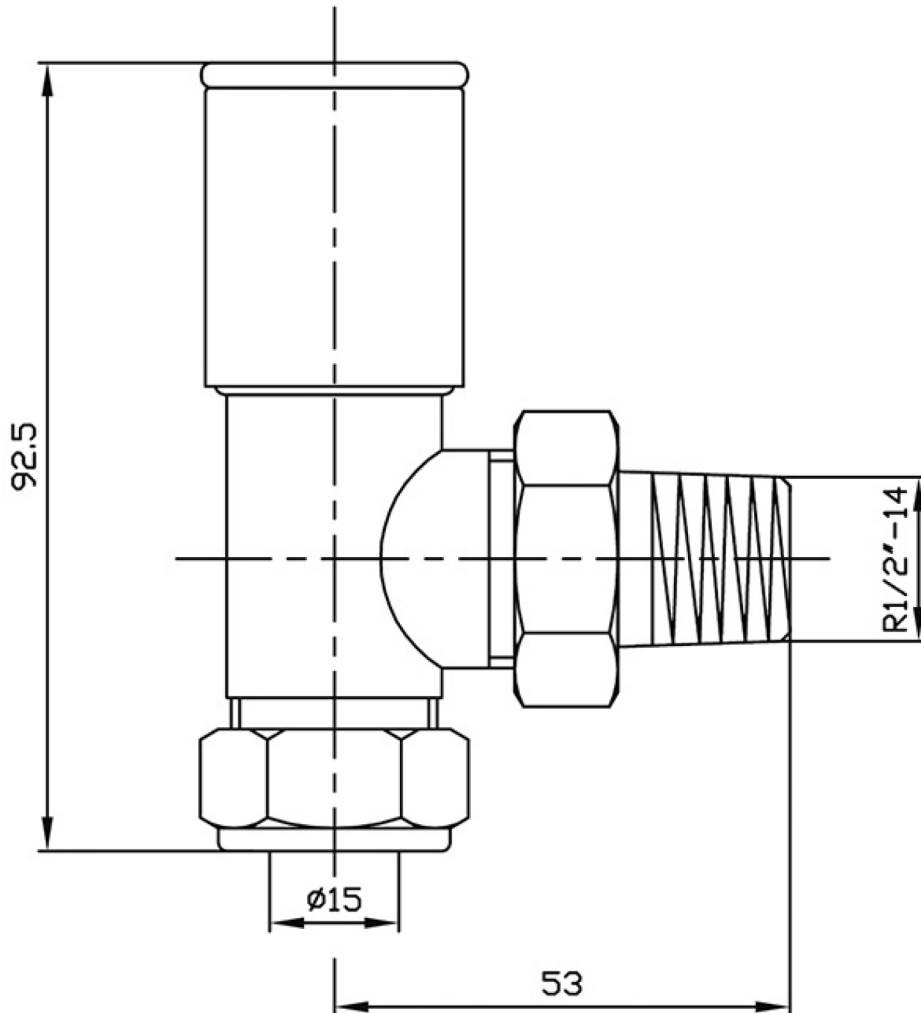
Disclaimer	
All dimensions are approximate and for roughing in only. We recommend no work be carried out until the goods arrive. We can take no responsibility for errors in information supplied.	

Available Finishes

Jet Black	Satin Nickel
Chrome	Black Nickel
Antique Copper	Antique Brass
Anthracite	



Bull Manual Angled Black Gloss Radiator Valves (Pair)



CNM Online

T: 01977 663331 E: cnmservice@cnmonline.co.uk

Unit 2, North Point Business Park, Selby Road, Eggborough, North Yorkshire, DN14 0JT