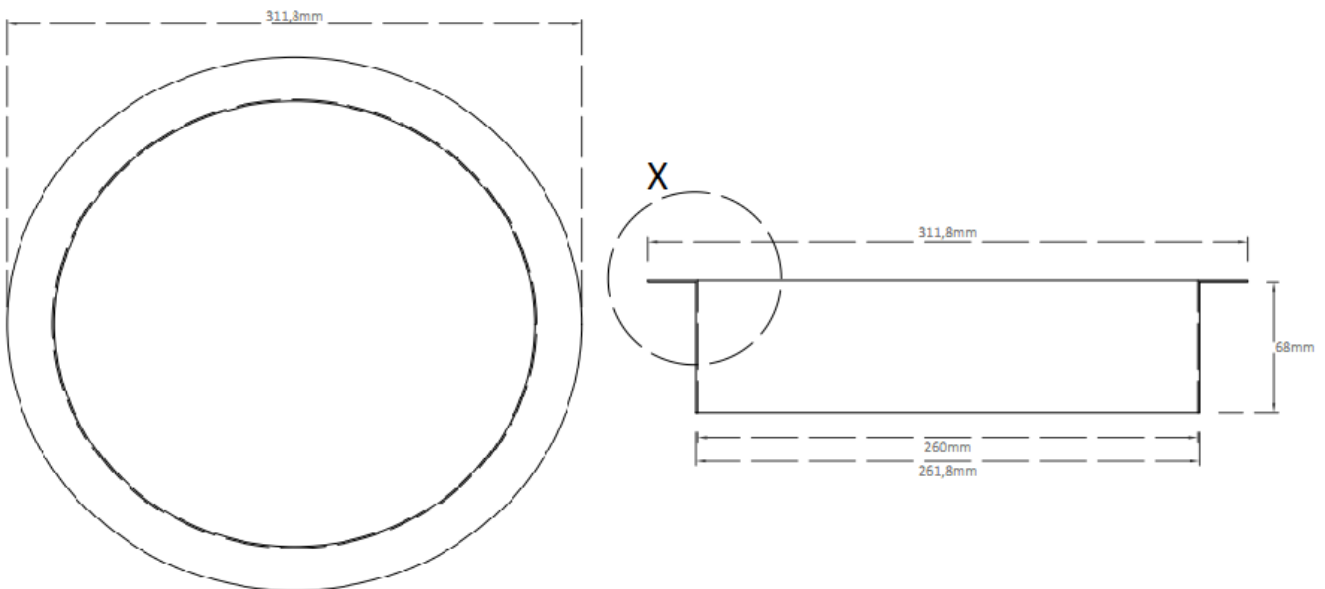




**Prestige Counter
Mounted Circular
Waste
Chute
260mm Black**

PSC260B



Materials: Constructed from Type UK 304 stainless steel, 0.9mm gauge with exposed surfaces in a Black Matt Finish

Installation: The chute is designed for installation in 265 ± 1.5 mm diameter hole in countertops.

To install the chute, cut hole in countertop 265 ± 1.5 mm diameter. Apply clear silicone sealant on underside of the waste chutes 25mm lip and around a portion of the waste chute outer body - which protrudes down into the mounting hole. Install unit into countertop hole and when the chute is in place, wipe off any excess silicone with a clean cloth.

Specification: Prestige Circular Waste Chute for mounting in countertops fabricated from UK 304 grade stainless steel with 260mm inner diameter and 25mm outer lip. The outer flat lip and inner chute surface will be in a Black Matt Finish. The waste chute opening provides access to deposit general waste into a separate waste receptacle housed beneath the countertop.

Prestige Radiators Ltd

The illustrations and descriptions herein are applicable to production as of the date of this Technical Data Sheet.

We reserve the right to make changes and improvements to the design and dimensions.

Revised 21st September 2017

© Prestige Radiators Ltd