

PL31MBS

Brushed Stainless Hand Towel Dispenser



Product Features:

- Dispenses C-Fold and Multifold Hand Towel Paper
- Brushed Stainless Steel
- 304L Grade Stainless Steel/240g
- Key Lockable

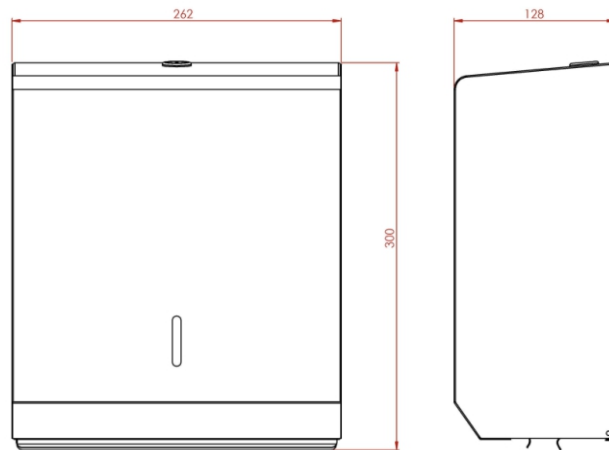
Manufactured in the UK

A modern and stylish hand towel dispenser finished in a brushed stainless. The key lockable unit is designed to dispense either C/Fold or multifold interleaved paper.

A level indicator is placed at the front to ensure paper is replaced when required. All hand contact areas are protected with a powder coated gloss finish.

Made in a quality brushed stainless steel finish.

Product Dimensions:



Height: 300mm Width: 262mm Depth: 128mm Weight: 2.2Kg Capacity: Approx 500 Hand Towels