

PRODUCT DATA SHEET

Core Round Rigid Riser Shower Brushed Brass

Product Code: NU-021



Product Measurements

Product Weight:	3.722kg
Product Width:	275mm
Product Height:	1280 - 1580mm
Product Depth:	N/A
Product Length:	843mm

Product Transportation

Barcode:	5060766124629
Country of Origin:	China
Comodity Code:	7324900000

Primary Packed Measurements

Packaged Weight:	4.85kg
Packaged Length:	770mm
Packaged Width:	415mm
Packaged Height:	105mm

Packaging Weight

Card:	1.05kg
Plastic:	0.023kg

General Information

Construction Material:	Brass / Stainless Steel 304 Alloy
Installation Type:	Wall Mounted
Colour / Finish:	Brushed Brass

Shower Specification

Anti-Scald:	Yes
Shower Diverter Functions:	Yes
Number of Outlets:	2
Thermo Temp Control:	Yes
Cool Touch:	No
Shower Handset Functions:	1
Minimum Working Pressure:	0.5
Maximum Working Pressure:	5
Shape:	Round
Pipe Centre:	150mm
Inlet Connection:	3/4 BSP
Outlet Connection:	1/2 BSP Handset
Adjustable:	Yes
Adjustment:	850 - 1205mm
Handle Type:	Round

Flow Rates

0.2bar (l/min)	3.7
0.5bar (l/min)	6.08
1bar (l/min)	9.18
2bar (l/min)	14.5
3bar (l/min)	15.54

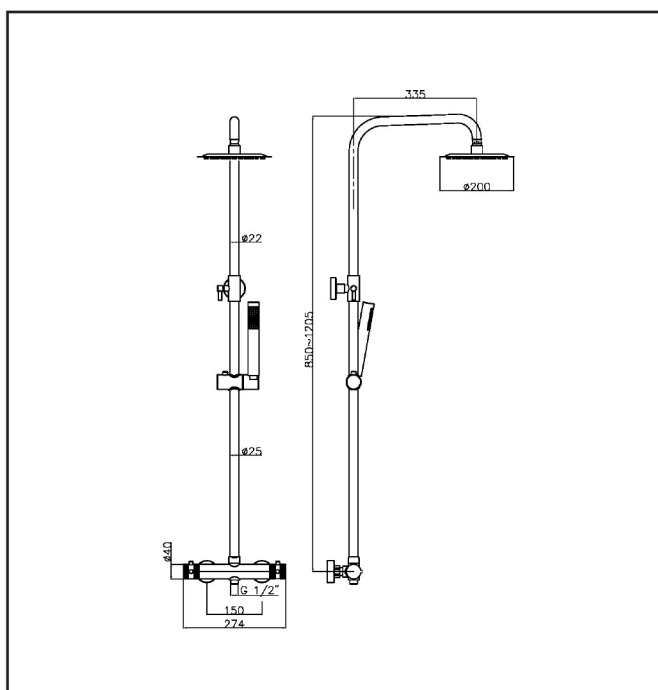
Compliance DOP

HBDOC074 / HBDOC075

Tap Attributes

Tap Type Description:	Thermostatic Mixer
Includes Waste:	No
Valve / Cartridge Type:	Thermostatic Cartridge

For Part G Building regulations, compliance see flow regulator section of spec binder.



Dimensions
(measurements in mm)

CNM Online

T: 01977 663331 E: cnmservice@cnmonline.co.uk

Unit 2, North Point Business Park, Selby Road, Eggborough, North Yorkshire, DN14 0JT