

SPECIFICATION:

Voltage rating: 110-130V, 220-240V / 50HZ

Power rating: 1.8kW

Temperature of wind: 60°C + 20°C

Weight: 3.0 KG

Velocity of wind: >15m / sec

Activating distance: >140 mm

Warranty

This hand dryer has a 1 year warranty from the date of purchase for any manufacturing defect. It covers replacement of defective parts, except when caused by improper use.

Before taking any action in the event of a fault, contact our customer service team who will assist you. The products serial number and proof of purchase must be provided. In the event of a faulty product, deXpro will replace faulty parts or at its sole discretion replace the product.

Labour costs and consequential losses are excluded.

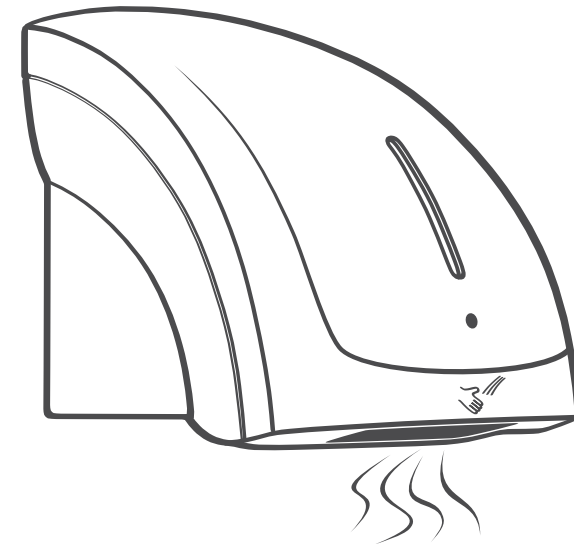


THE EUROPEAN DIRECTIVE 2002/96/E.

At the end of its working life this equipment must not be disposed of as household waste. It must be taken to a local authority waste collection centre or to a dealer providing this service. Disposing of electrical and electronic equipment separately enables its components to be recovered and recycled to obtain significant savings in energy and resources. In order to underline the duty to dispose of this equipment separately, the product is marked with a crossed out dustbin.



PRODUCT INSTRUCTION MANUAL



AUTOMATIC HAND DRYER

TH18W/TH18S

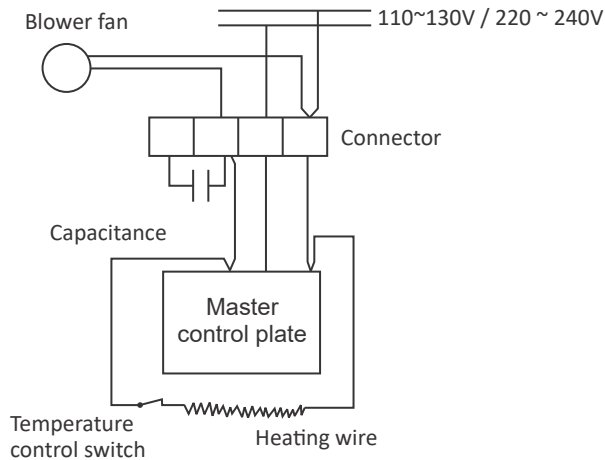
Thank you for purchasing the hand dryer. With greater emphasis on air flow and reduced heat, the unit has high efficiency, with powerful concentrated air giving a short hand-dry time. Please carefully read and understand these instructions before commencing installation and leave them with the user when installation is complete. It is an ideal choice for hotels, household and public places.

PLEASE READ ALL INSTRUCTIONS BEFORE USING

Important safety points

- The Electrical installation must be carried out by a qualified electrician in accordance with the current edition of the I.E.E. Wiring Regulations.
- This appliance must be earthed.
- Means for electrical disconnection must be incorporated in the fixed wiring in accordance with the wiring rules.
- Avoid spattering the product with water.
- The hand dryer must be fixed out of reach of a person taking a bath or shower.
- This appliance can be used by children aged from 8 years and above and persons with reduced physical, sensory or mental capabilities or lack of experience and knowledge if they have been given supervision or instruction concerning use of the appliance in safe way and understand the hazard involved. Children shall not play with the appliance. Cleaning and user maintenance shall not be made by children without supervision.
- Do not cover the air inlet or outlet.

POWER SCHEME

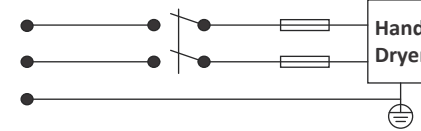


OVERHEAT PROTECTION

The heater is protected with an overheat protector that switches off the heater automatically in case of overheat. e.g. due to the total or partial obstruction of the grills. In this case, unplug the appliance, wait about 30 minutes for it to cool and remove the object which is obstructing the grills. Then switch it back on as described above.

INSTALLATION:

- Recommended installation height (measured from air outlet to the floor): for man 1.2m, for woman 1.1m, for child 0.9m.



A 2-pole switch with contact gap >3mm must be installed before connection to power source. Grounding wire must be connected to the unit.

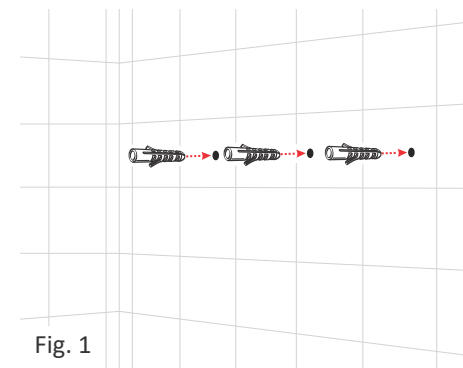


Fig. 1

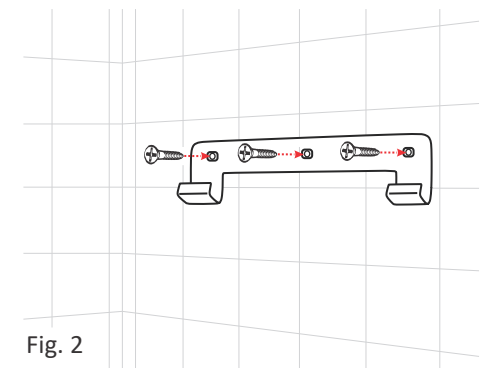


Fig. 2

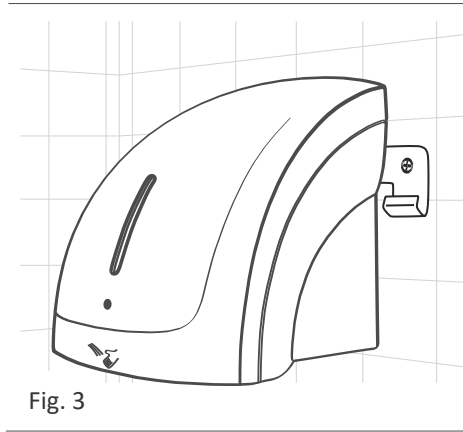


Fig. 3

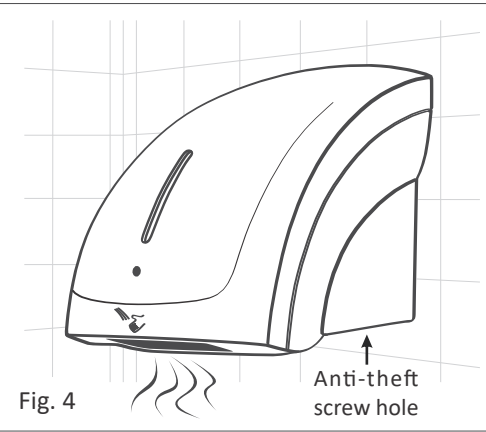


Fig. 4

APPLICATION:

1. After installation of the hand dryer, connect the unit to power source and it will be in standby status.
2. When a hand reaches within 15cm range to the air outlet, the dryer will sense the hand and automatically start to blow warm air. (The lamp will also be on at the same time). Blow your hands with the warm air until they are dry. The unit will stop working after continuous operation for 1 minute. To restart the unit, put your hands again within the sensing range.

MAINTENANCE

- ⚠ Always isolate the appliance from the power supply before commencing any maintenance.
 - ⚠ Never use abrasive chemicals or materials when cleaning the unit.
- Use a vacuum cleaner to clear the inlet and outlet vents of any dust or debris.