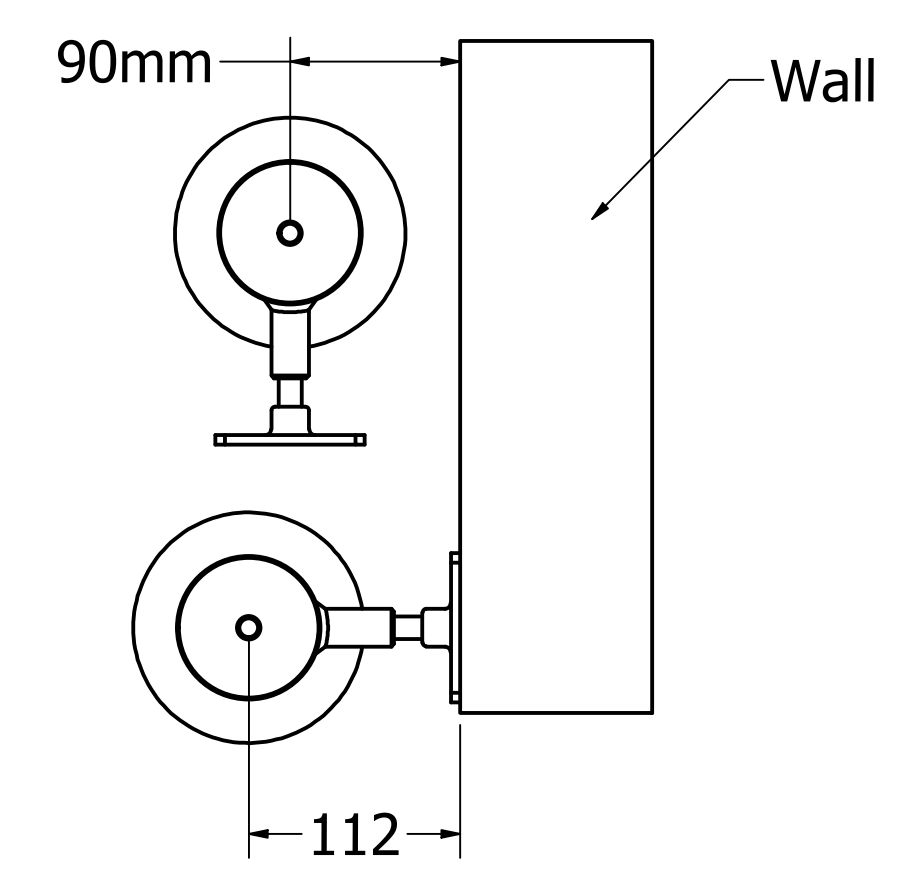


**1/2" BSP Nominal Bore x 15mm Depth
Female Thread (at both End)**



Wall to Pole Centers

Material Data			
Sr. No.	Parts List	Dimension	Material
01	Steam Tube Gauge (mm)	3.65	Blue Steel EN10255
02	Steel Tube OD (mm)	ø76	Blue Steel EN10255
03	Steel Strips Gauge (mm)	0.9	Blue Steel EN10255
04	Steel Strip Width (mm)	23.8	Blue Steel EN10255

Technical Specification
Delta 50C - Power (w) :- 1800
Delta 50C - BTU/hr:- 6141
GTIN:- 5056678204092
Power Supply:- 230V

DRAWN	SD	28-05-2024	Prestige Radiators Limited		
CHECKED			TITLE		
QA			Bull Smart FINN Radiators - 2500		
MFG					
APPROVED					
	SIZE	D	EAN NO	XXX XXX XXXX	REV
	SCALE	1 / 4			A
					SHEET 1 OF 1