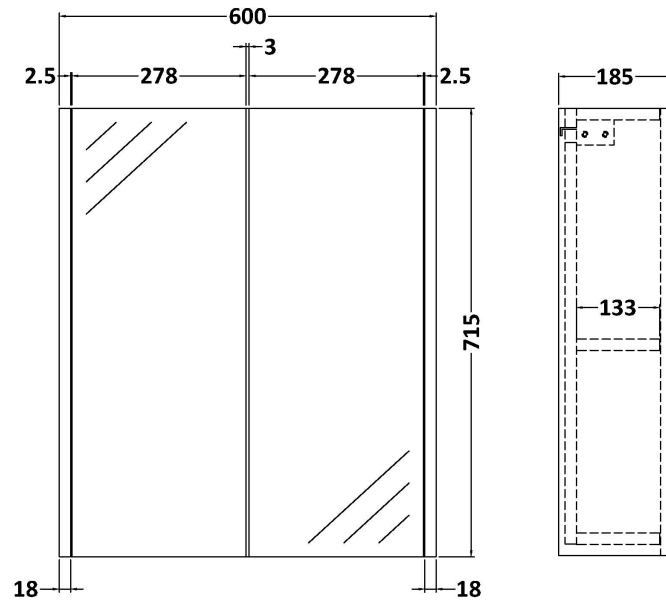


Sales Code: NPF2217

Description: 600 Mirror Unit 50/50



### Product Dimensions

|                   |      |
|-------------------|------|
| Height (mm):      | 715  |
| Width (mm):       | 600  |
| Depth (mm):       | 185  |
| Nett Weight (kg): | 20.5 |

### Packaging Dimensions

|                    |     |
|--------------------|-----|
| Height (mm):       | 735 |
| Width (mm):        | 620 |
| Depth (mm):        | 202 |
| Gross Weight (kg): | 21  |

### Packaging Data

|               |                     |
|---------------|---------------------|
| Box Colour:   | Brown Cardboard Box |
| Box Qty:      | 1                   |
| Label Size:   | 100 x 50            |
| Label Colour: | White Label         |
| Label Qty:    | 2                   |

### Outer Box Dimensions (If Applicable)

|                    |               |
|--------------------|---------------|
| Height (mm):       |               |
| Width (mm):        |               |
| Depth (mm):        |               |
| Gross Weight (kg): |               |
| Barcode:           | 5056462657394 |

### Product Details

|                          |                              |
|--------------------------|------------------------------|
| Country of Origin:       | United Kingdom               |
| Fitting Instruction:     | No                           |
| CE & UKCA:               | Yes                          |
| FSC Certified Materials: | Yes                          |
| Colour:                  | Graphite Grey Woodgrain      |
| Construction Method:     | Cam & Wood Dowel             |
| Construction Type:       | Rigid                        |
| Cabinet Finish:          | MFC Textured Woodgrain       |
| Fascia Finish:           | MFC Textured Woodgrain       |
| Cabinet Thickness (mm):  | 18                           |
| Fascia Thickness (mm):   | 18                           |
| Drawer Included:         | No                           |
| Drawer Type:             | Not Applicable               |
| No of Shelves:           | 1                            |
| Hinge Type:              | 95 Degree Clip-On Soft Close |
| Hinge Included:          | Yes, Supplied                |
| Adjustable Legs:         | No, Not Required             |
| Fixings Included:        | Yes                          |
| Handle Style:            | Not Applicable               |
| Waste Shroud:            | No                           |
| Handle Included:         | No                           |
| Handle Type:             | Handleless                   |