

# Echo Angled TRV Thermostatic Radiator Valve



Available Finishes	
Anthracite	Black
Silver	White
Chrome	

Connection Size	
Valve to Radiator	1/2" BSPT
Valve to Pipe	15 mm Compression

Pressure Ratings	
Max Test Pressure	N/A
Max Operating Pressure	10 Bar
Max Differential Pressure	1 Bar
Pressure Drop Value (Kvs)	0.59

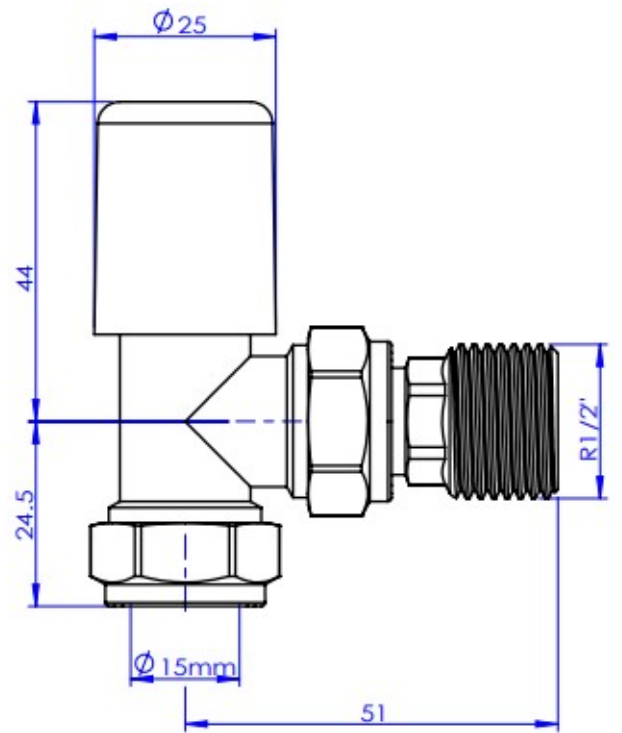
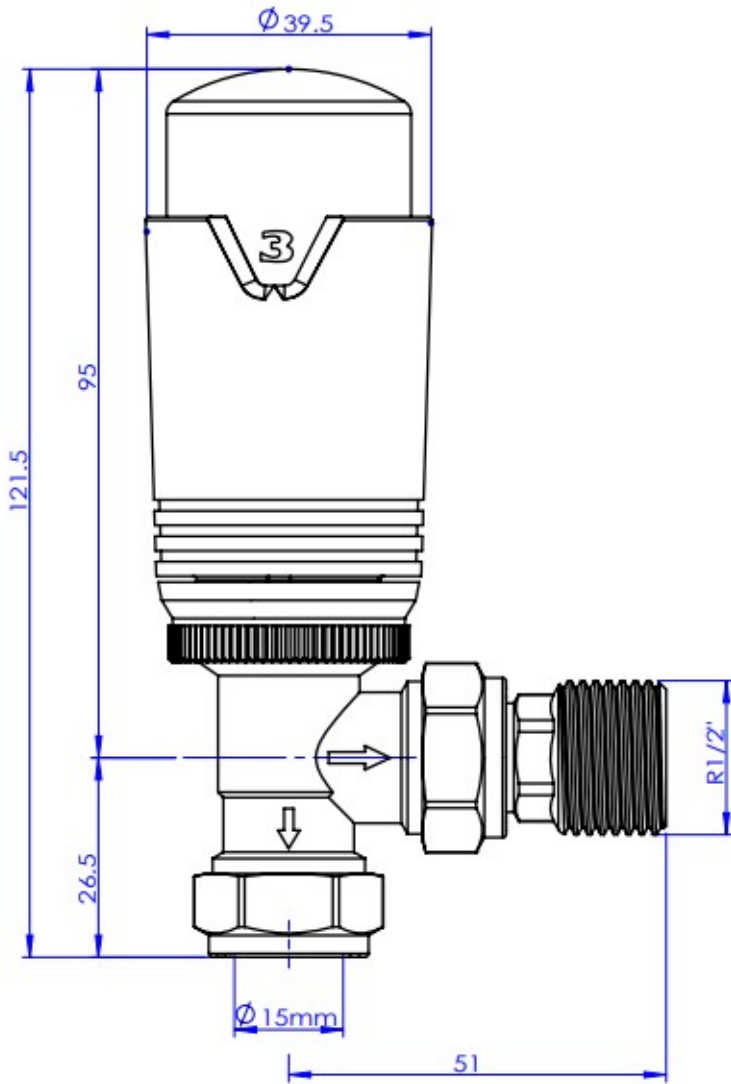
Kvs value is the metric measure for the flow of a fully opened valve. It is defined as: The volume flow in cubic metres per hour of water at a temperature of between 5° and 40° Celsius with a pressure drop across the valve of 1 bar.

Flow Ratings	
Normal Flow Rate	0.15m <sup>3</sup> /h
Max Flow Rate	0.47m <sup>3</sup> /h

Temperature Ratings	
Max Test Temperature	N/A
Max Operating Temperature	120°C
Temperature Adjustment Range	7°C to 32°C

Disclaimer	
<p>All dimensions are approximate and for roughing in only.                      We recommend no work be carried out until the goods arrive.                      We can take no responsibility for errors in information supplied.</p>	

# Echo Angled TRV Thermostatic Radiator Valve



# Echo Angled TRV Thermostatic Radiator Valve

