



Amberley TRV Angled Valves Polished Brass

TRV



Connection Size

| | |
|-------------------|-------------------|
| Valve to Radiator | 1/2" BSPT |
| Valve to Pipe | 15 mm Compression |

Allen Key size

| | |
|-----------------------------|------|
| To adjust Lock-Shield | N/A |
| To fit Coupler to Radiator | SW12 |
| Allen Keys are not included | |

Pressure Ratings

| | |
|---------------------------|------------------------|
| Max Test Pressure | 16 Bar |
| Max Operating Pressure | 10 Bar |
| Max Differential Pressure | 1 Bar |
| Pressure Drop Value (Kvs) | 2.47 m ³ /h |

Kvs value is the metric measure for the flow of a fully opened valve. It is defined as: The volume flow in cubic metres per hour of water at a temperature of between 5° and 40° Celsius with a pressure drop across the valve of 1 bar.

Available Finishes

| | |
|----------------|--------------|
| Chrome | Satin Nickel |
| Antique Brass | Black Nickel |
| Polished Brass | Nickel |
| Pewter | |

Flow Ratings

| | |
|------------------|------------------------|
| Normal Flow Rate | 0.61 m ³ /h |
| Max Flow Rate | 2.47 m ³ /h |

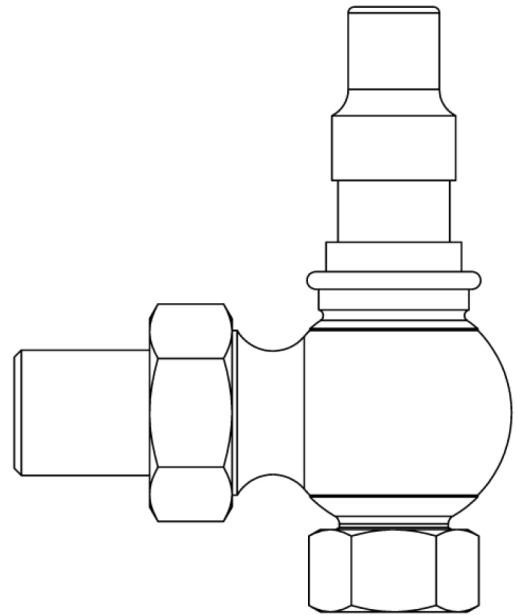
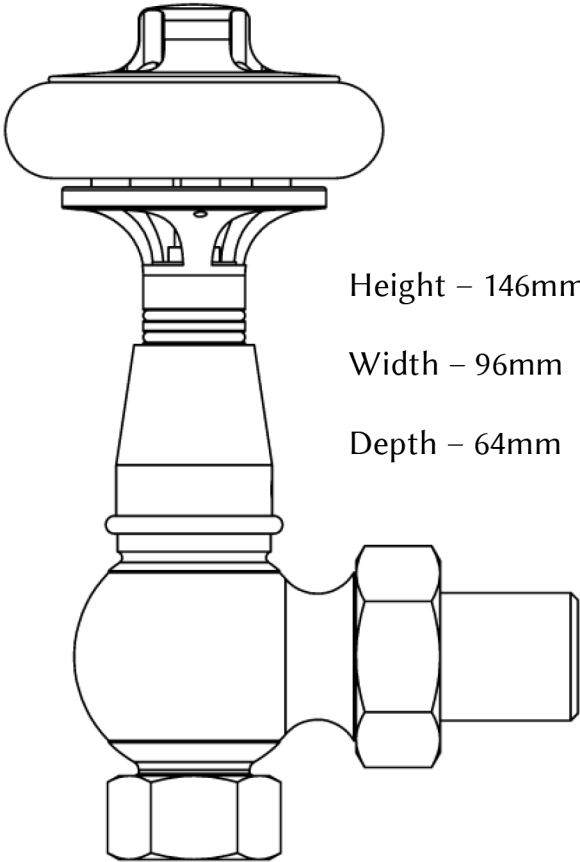
Temperature Ratings

| | |
|------------------------------|--------|
| Max Test Temperature | 100°C |
| Max Operating Temperature | 120°C |
| Temperature Adjustment Range | 7-38°C |

Disclaimer

All dimensions are approximate and for roughing in only.
We recommend no work be carried out until the goods arrive.
We can take no responsibility for errors in information supplied.

Amberley TRV Angled Valves Polished Brass



CNM Online

T: 01977 663331 E: cnmservice@cnmonline.co.uk

Unit 2, North Point Business Park, Selby Road, Eggborough, North Yorkshire, DN14 0JT