



Bull Décor Angled TRV Radiator Valves



Available Finishes

Antique Brass	Antique Copper
Black Nickel	Satin Nickel
Textured Black	Un-Lacquered Brass

Connection Size

Valve to Radiator	1/2" BSPT
Valve to Pipe	15 mm Compression

Allen Key size

To adjust Lock-Shield	SW8
To fit Coupler to Radiator	SW13

Allen Keys are not included

Pressure Ratings

Max Test Pressure	16 Bar
Max Operating Pressure	10 Bar
Max Differential Pressure	1 Bar
Pressure Drop Value (Kvs)	2.52 m ³ /h

Kvs value is the metric measure for the flow of a fully opened valve. It is defined as: The volume flow in cubic metres per hour of water at a temperature of between 5° and 40° Celsius with a pressure drop across the valve of 1 bar.

Flow Ratings

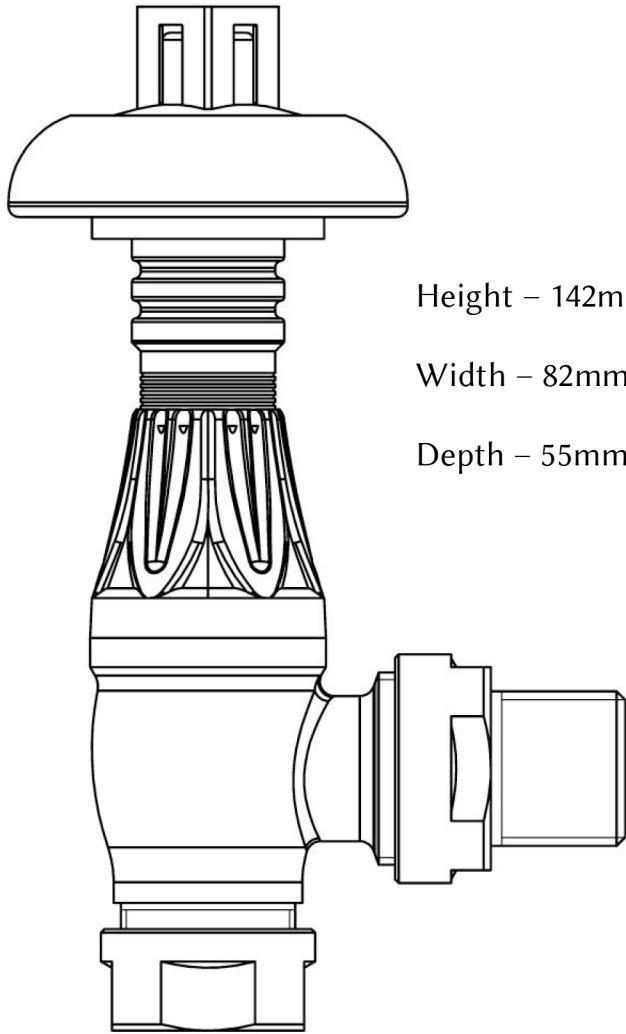
Normal Flow Rate	0.58 m ³ /h
Max Flow Rate	2.52 m ³ /h

Temperature Ratings

Max Test Temperature	100°C
Max Operating Temperature	120°C
Temperature Adjustment Range	7~28°C

Disclaimer

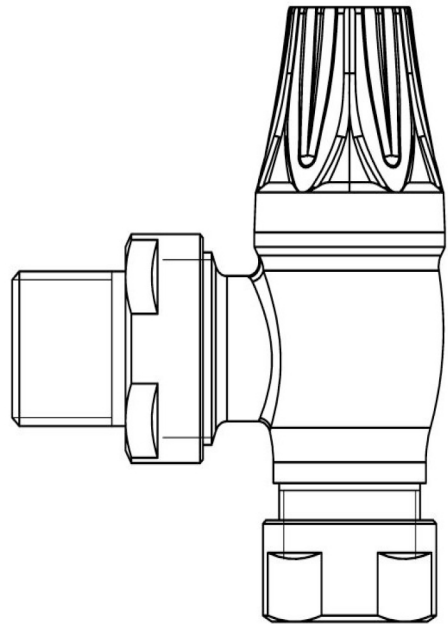
All dimensions are approximate and for roughing in only.
 We recommend no work be carried out until the goods arrive.
 We can take no responsibility for errors in information supplied.



Height – 142mm

Width – 82mm

Depth – 55mm



Prestige Radiators

T: 01977 663331 E: cnmservice@cnmonline.co.uk

CNM Online, Unit 2, North Point Business Park, Selby Road Eggborough, North Yorkshire, DN14 0JT