

**Biodrier** BioLite

# Hand dryer

Automatic



**High Speed**

# Surface Mounted High Speed Hand Dryer

## Operating Instructions and Parts Manual (Automatic)



### Technical Specifications

Item Category	Performance Data
Operating Voltage	220 - 240Vac, 50Hz, 650 - 900 WATTS (heater off/on)
Warm Air Speed Output	64 m/s, 140m <sup>3</sup> /h
Air Output Temperature	77°F (25°C) - Ambient Temperature 68°F (20°C)
Motor Type	23,000 rpm, 650W, Brush Type, Dual Bearings
Motor Thermal Protection	Auto Resetting Thermostat turns unit off, 240V at 221°F (105°C) - EURO Spec
Heater Element	250W
Heater Thermal Protection	Auto Resetting Thermostat turns unit off at, 149°F (65°C)
Drying Time	Less than 15 seconds
Decibel Rating	76 dba @ 1 mtr
Circuit Operation	Infrared Automatic, self adjusting
Sensor Range	100 mm
Timing Protection	60 seconds auto shut off
Drip Proof	IP22
Isolation	CLASS I
Net Weight	4 kg
Shipping Weight	5 kg
Unit Size	W 240 x H 268 x D 176 mm
Approvals	CE, WEEE, Greenspec
Item Code	Cover Type/Finish
BJ09W	Die Cast Aluminium; Epoxy Polyester Powder Coating (White)
BJ09S	Die Cast Aluminium; Epoxy Polyester Powder Coating (Silver)
BJ09C	Die Cast Aluminium; Bright Chrome

# Surface Mounted High Speed Hand Dryer

## Operating Instructions and Parts Manual (Automatic)

### General Safety Information

#### WARNING

This product is intended for installation by a qualified service person. Use AWAG No.16 solid conductor for wiring.

Failure to properly ground unit could result in electrical shock and/or death.

Disconnect power at the service breaker before installing or servicing.

NOT FOR HOUSEHOLD USE - MAY CAUSE BURNS  
"IMPROPRE A L'USAGE DOMESTIQUE - PUET OCCASIONNER."

All units must be supplied with a 3-wire service. The ground wire must be connected with the dryers back plate.

NOTE: Do not install dryer over wash basin.

Type Y attachment

If the power supply cord is damaged, it must be replaced by the manufacturer or its service agent or a similar qualified person in order to avoid a hazard.

Means for disconnection must be incorporated in the fixed wiring in accordance with the wiring rules.

### Installation

#### Installation must be carried out by a qualified electrician

1. Make sure power supply breaker is switched off. Installation must be carried out in accordance with the current edition of the local wiring regulations code having jurisdiction. Installation should be performed only by a qualified electrician.

2. Place template against wall at desired height (see mounting height recommendations) and mark locations of 4 mounting holes and wire service entry at knockout (KO) location.

**NOTE: For two or more dryers, dryers should be no closer than 24 inches (610 mm) on centre.**

3. Remove and retain 2 cover screws and cover.

4. Connect supply wires to terminal block where indicated and connect ground wire to baseplate with ground screw.

#### Connections:

- a. Connect the live wire (coloured red or brown) to the terminal block marked "L".
- b. Connect the neutral wire (coloured black or blue) to the terminal block marked "N".
- c. Connect the ground wire (coloured green or green and yellow) to the green screw marked "⊕".

**Note that the colour of live and neutral wires depends on voltage of supply service.**

5. Replace cover. Do not over-tighten screws.

# Surface Mounted High Speed Hand Dryer

## Operating Instructions and Parts Manual (Automatic)

### Recommended Mounting Heights

From floor to bottom of dryer.

Men's	Ladies	Children, ages 11-17	Children, ages 3-10	Disabled
43"	41"	39"	33"	35"
109 cm	104 cm	99 cm	84 cm	89 cm

### Cleaning and Maintenance

All surfaces of the unit should be cleaned daily with a soft cloth dampened with warm, soapy water. Polish with a soft dry cloth.

DO NOT use caustic solutions or abrasive cleaning materials on the drier.



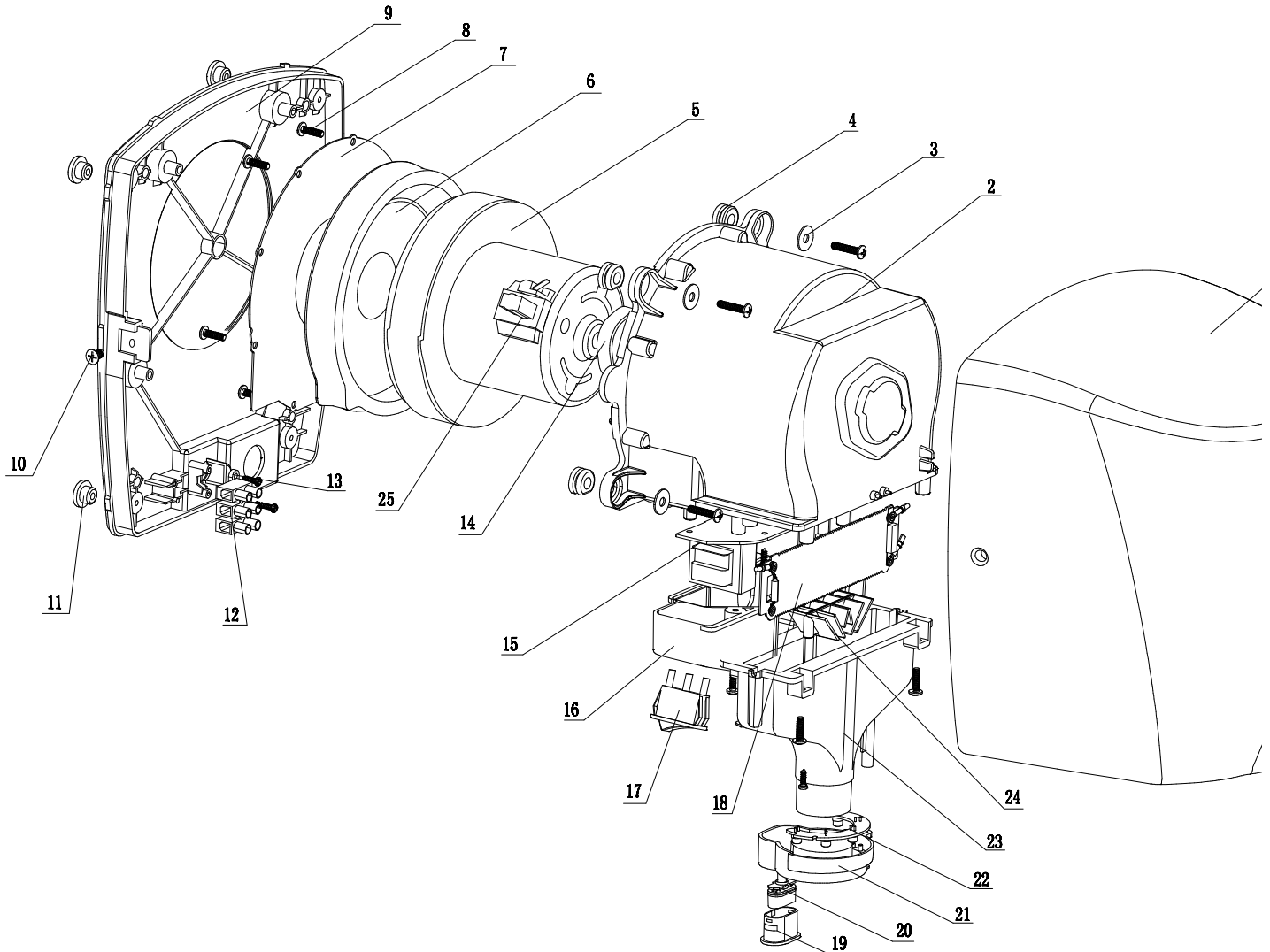
### Operation

- No touch operation.
- Shake excess water from hands.
- Place hands under the outlet to start operation.
- Rub hands lightly and rapidly.
- Stops automatically after hands are removed.

# Surface Mounted High Speed Hand Dryer

## Operating Instructions and Parts Manual (Automatic)

### Diagram and Parts List



Key	Description	Product Code
1	Die Cast Cover	HD-BL093195-01
2	Motor Housing	HD-BL093195-02
3	Rubber Washers	HD-BL093195-03
4	Shock Absorber	HD-BL093195-04
5	Motor	HD-BL093195-05
6	Blower Housing	HD-BL093195-06
7	Blower Mounting Plate	HD-BL093195-07
8	Mounting Plate Screws	HD-BL093195-08
9	Base Plate	HD-BL093195-09
10	Cover Screws	HD-BL093195-10
11	Nylon Brushes	HD-BL093195-11
12	Electrical Thermal Block	HD-BL093195-12

Key	Description	Product Code
13	Cable Clamp	HD-BL093195-13
14	Motor Rubber	HD-BL093195-14
15	Circuit Board Module	HD-BL093195-15
16	Circuit Board Cover	HD-BL093195-16
17	Heater Switch	HD-BL093195-17
18	Heating Element	HD-BL093195-18
19	Sensor Screen	HD-BL093195-19
20	Sensor Module	HD-BL093195-20
21	Sensor Bracket	HD-BL093195-21
22	LED Module	HD-BL093195-22
23	Air Outlet Baffle	HD-BL093195-23
24	Baffle Plate	HD-BL093195-24
25	Motor Brushes	HD-BL093195-25