

TOWEL BAR (AGED CAST SERIES)

PXB-AC06-450

BEST SERIES) / (AGED CAST SERIES)



Generous amounts of brass cast into a nostalgic and rugged finish. A design that is both substantial and reliable and will continue to retain its allure.

Features

A wide array of matching products is available, allowing for total design coordination.

Remarks

The finish of the products varies as the finishing process works with the natural characteristics of the material.

Parts Included

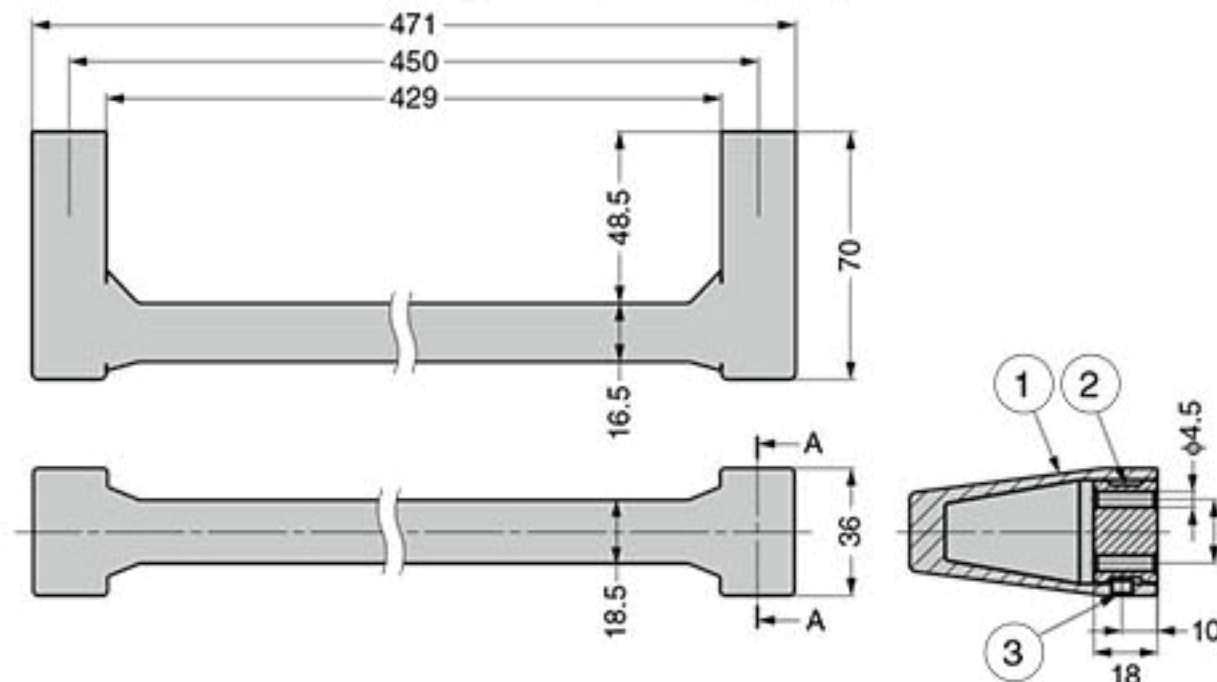
- Size 4 x 50 cross-recessed pan head tapping screws
- Size M4 plain washers
- Lock plug (for nominal 4, compatible with $\phi 6$ drill, plug length 30)



PXB-AC06-450-BL



PXB-AC06-450-BR



No.	Part Name	Material	Finish/Colour
①	Main Body	Brass	See table below
②	Frame		Chromate Finish
③	Size M6 x 5 Hexagon Socket Set Screws	Steel	Black Chromate Finish (Trivalent)

CAD	Item Code	Item Name	Material	Colour	Load Capacity N	Load Capacity kgf	Weight (g)	Box (pcs)	Carton (pcs)
2030	280-033-720	PXB-AC06-450-BL	Brass	Black Bronze	100	10.2	1600	1	4
2030	280-033-721	PXB-AC06-450-BR		Brown Bronze					

