

PRODUCT DATA SHEET

Helier Square Cool Touch Rigid Riser Shower

Product Code: SHOWER010



Product Measurements

Product Weight:	4kg
Product Width:	250mm
Product Height:	870-1200mm
Product Depth:	330mm
Product Length:	350mm

Product Transportation

Barcode:	5060500644048
Country of Origin:	China
Comodity Code:	8481801190

Primary Packed Measurements

Packaged Weight:	5.4kg
Packaged Length:	960mm
Packaged Width:	238mm
Packaged Height:	190mm

Packaging Weight

Card:	0.5kg
Plastic:	0.023kg

General Information

Construction Material:	Brass / Plastic / Stainless Steel
Installation Type:	Wall Mounted
Colour / Finish:	Chrome

Shower Specification

Anti-Scald:	Yes
Shower Diverter Functions:	Yes
Number of Outlets:	2
Thermo Temp Control:	Yes
Cool Touch:	Yes
Shower Handset Functions:	2
Minimum Working Pressure:	0.5
Maximum Working Pressure:	5
Shape:	Square
Pipe Centre:	150mm
Inlet Connection:	3/4 BSP
Outlet Connection:	1/2 BSP Handset
Adjustable:	Yes
Adjustment:	740-1160mm
Handle Type:	Square

Flow Rates

0.2bar (l/min)	3.2
0.5bar (l/min)	9.2
1bar (l/min)	13.5
2bar (l/min)	19.8
3bar (l/min)	25

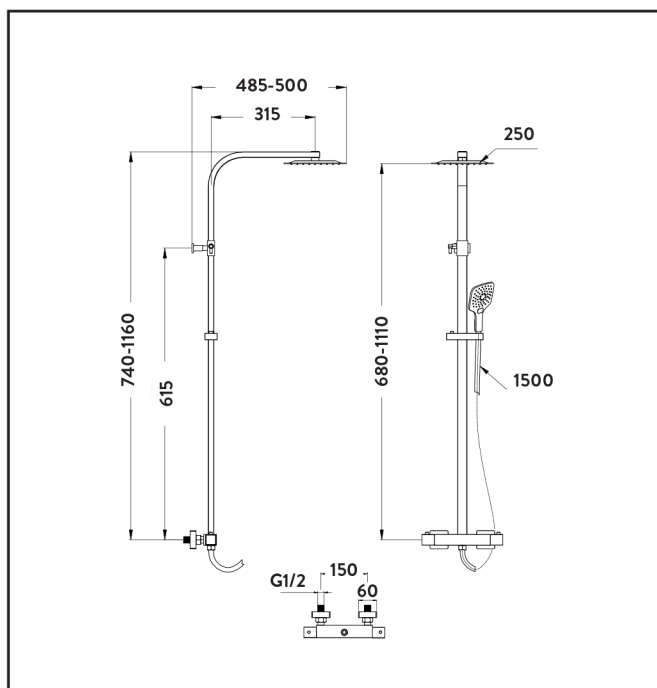
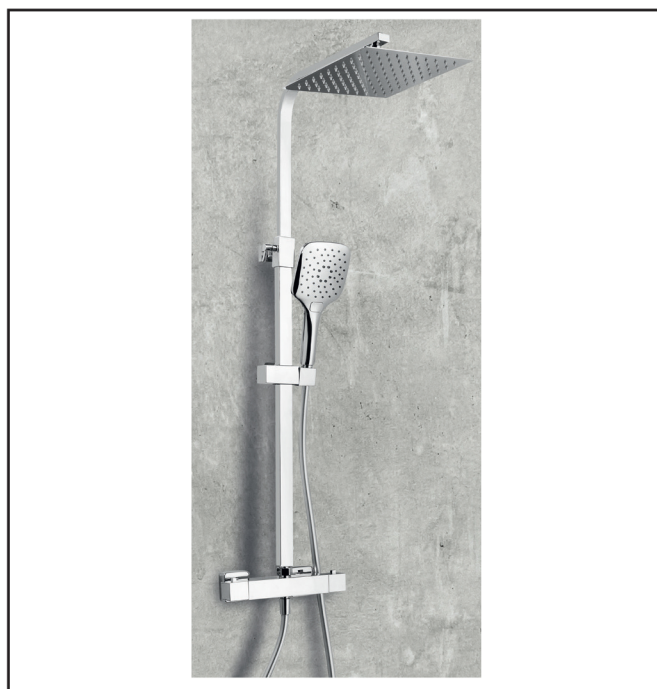
Compliance DOP

HBDOC074 / HBDOC075

Tap Attributes

Tap Type Description:	Exposed Bar Valve
Includes Waste:	No
Valve / Cartridge Type:	Thermo & 1/4 Turn Cartridge

For Part G Building regulations, compliance see flow regulator section of spec binder.



Dimensions
(measurements in mm)

CNM Online

T: 01977 663331 E: cnmservice@cnmonline.co.uk

Unit 2, North Point Business Park, Selby Road, Eggborough, North Yorkshire, DN14 0JT