



Bull Traditional Manual Corner Valve - Pewter



Available Finishes	
Antique Brass	Antique Copper
Brass	Black Nickel
Chrome	Nickel
Satin Nickel	Polished Copper
Brushed Copper	White
Old English Brass	Pewter
Un-lacquered Brass	Brushed Brass
Textured Black	Light Pewter

Connection Size	
Valve to Radiator	1/2" BSPT
Valve to Pipe	15 mm Compression

Allen Key size	
To adjust Lock-Shield	8 mm
To fit Coupler to Radiator	1/2"
Allen Keys are not included	

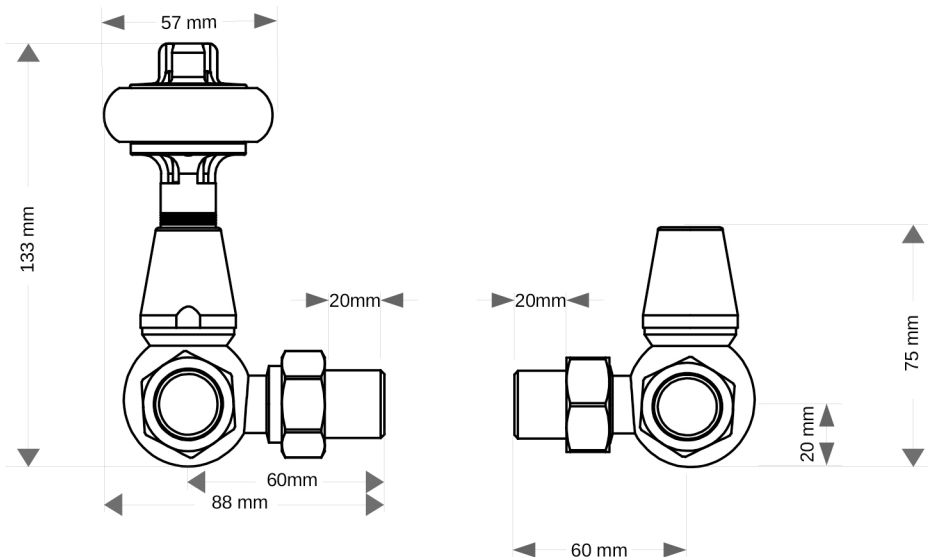
Pressure Ratings	
Max Test Pressure	12 Bar
Max Operating Pressure	10 Bar
Max Differential Pressure	1 Bar
Pressure Drop Value (Kvs)	1.6
Kvs value is the metric measure for the flow of a fully opened valve. It is defined as: The volume flow in cubic metres per hour of water at a temperature of between 5° and 40° Celsius with a pressure drop across the valve of 1 bar.	

Flow Ratings	
Normal Flow Rate	0.20m³/h
Max Flow Rate	0.30m³/h

Temperature Ratings	
Max Test Temperature	120°C
Max Operating Temperature	110°C
Temperature Adjustment Range	7 - 30 °C

Disclaimer

All dimensions are approximate and for roughing in only.
 We reserve the right to alter dimensions without notice.
 We recommend no work be carried out until the goods arrive.
 We can take no responsibility for errors in information supplied.

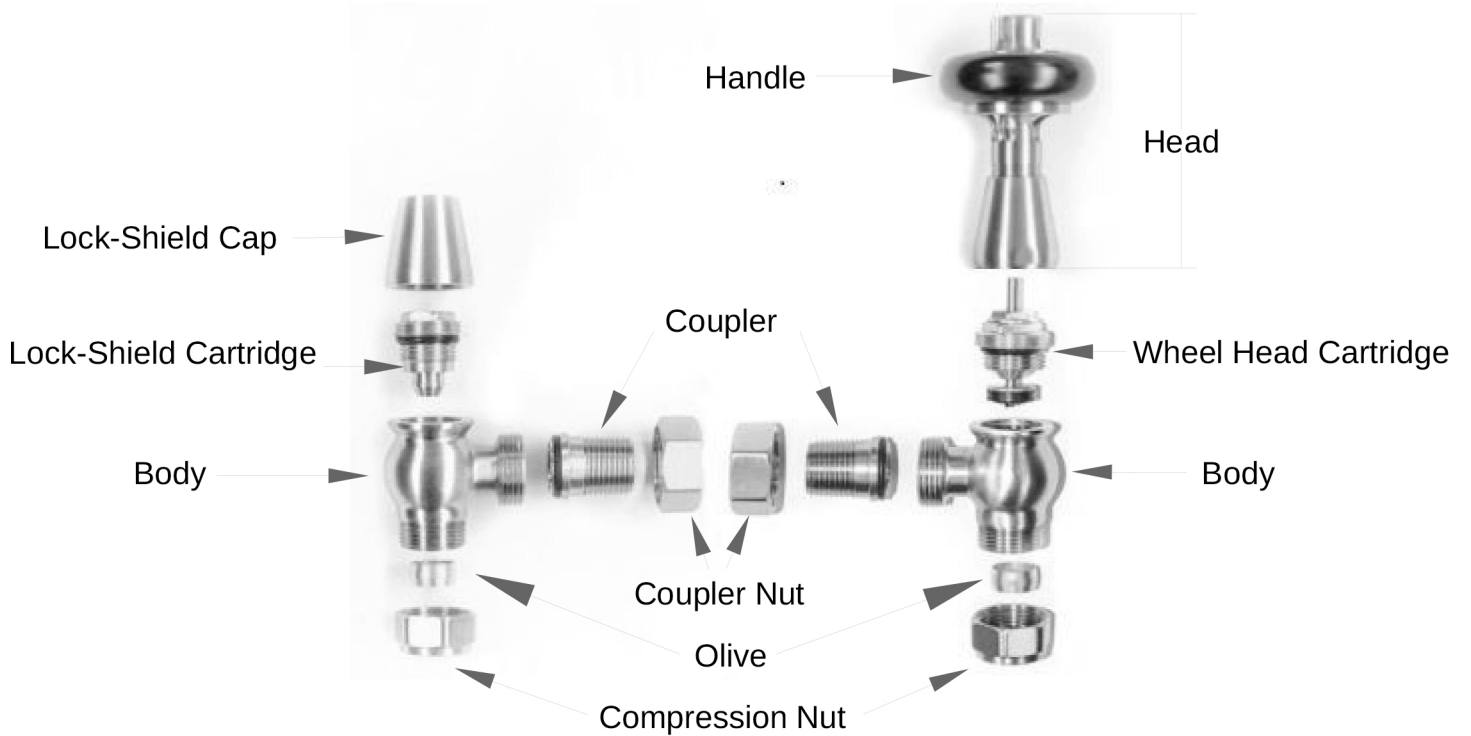


Identifying Parts
(ETO-AG-SN shown)



Lock-Shield

Wheel Head



Prestige Radiators

T: 01977 663331 E: cnmservice@cnmonline.co.uk

CNM Online, Unit 2, North Point Business Park, Selby Road Eggborough, North Yorkshire, DN14 0JT