



# Commodore Traditional Manual Straight Valve - Satin Nickel

**MANUAL**



Available Finishes	
Chrome	Satin Nickel
Antique Brass	Pewter

Connection Size	
Valve to Radiator	1/2" BSPT
Valve to Pipe	15 mm Compression

Allen Key size	
To adjust Lock-Shield	8mm
To fit Coupler to Radiator	3/4"
Allen Keys are not included	

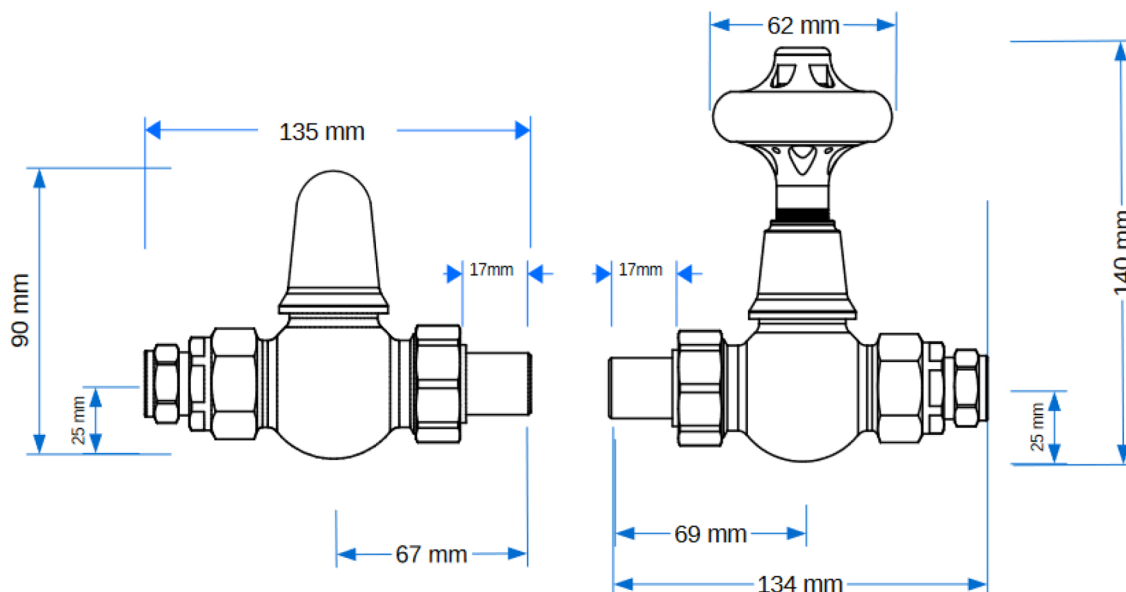
Pressure Ratings	
Max Test Pressure	12 Bar
Max Operating Pressure	10 Bar
Max Differeential Pressure	1 Bar
Pressure Drop Value (Kvs)	N/A

Kvs value is the metric measure for the flow of a fully opened valve. It is defined as: The volume flow in cubic metres per hour of water at a temperature of between 5° and 40° Celsius with a pressure drop across the valve of 1 bar.

Flow Ratings	
Normal Flow Rate	0.2 m <sup>3</sup> /h
Max Flow Rate	0.5 m <sup>3</sup> /h

Temperature Ratings	
Max Test Temperature	120°C
Max Operating Temperature	110°C
Temperature Adjustment Range	7 – 30°C

**Disclaimer**  
 All dimensions are approximate and for roughing in only. We recommend no work be carried out until the goods arrive. We can take no responsibility for errors in information supplied.



**CNM Online**

T: 01977 663331 E: cnmservice@cnmonline.co.uk

Unit 2, North Point Buisness Park, Selby Road, Eggborough, North Yorkshire, DN14 0JT