

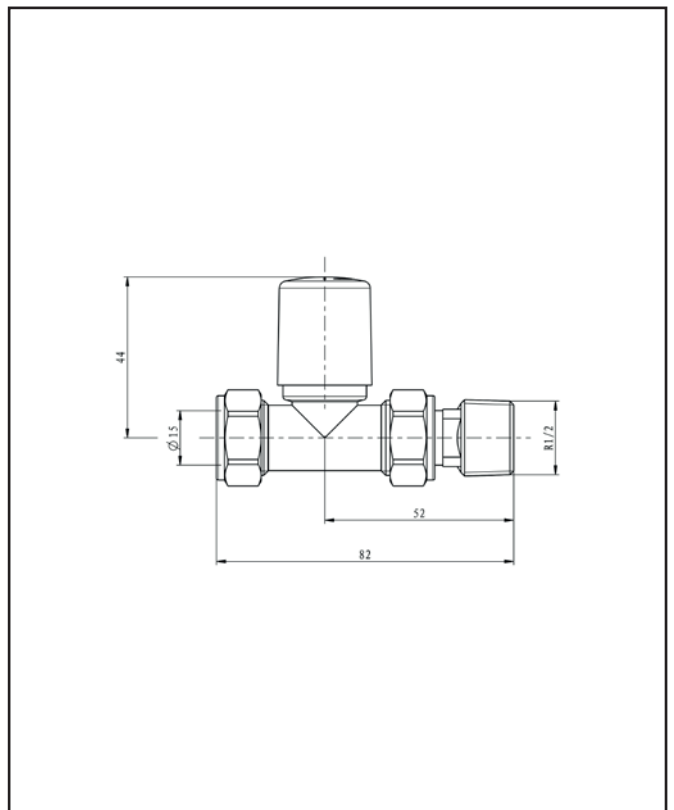
PRODUCT DATA SHEET

Towel Rail Valves

Product Code: TRV009

Product Name	TRV009
Product Description	Modern Towel Rail Valves Straight (Pair)
Product Transportation	
Barcode	5060766128498
Country of origin	CH
Commodity code	8481804090
Product Measurements	
Product Weight (KG)	0.383
Product Width (mm)	The same as Length
Product Height (mm)	51.5
Product Depth (mm)	No
Product Length (mm)	82
Primary Packed Measurements	
Packaged Weight	0.407
Packed Length	145
Packed Width	90
Packed Height	35
Packaging Weights	
Card (kg)	0.024
Paper (kg)	0
Wood (kg)	0
Plastic (kg)	0.5
Compliance DOP	HBD0C088 & HBD0C089

General Information	
Construction Material	Brass
Installation type	Valve
Colour / Finish	Brushed Brass
Heating Valve Specification	
Type	Straight
Shape	Round
Thermostatic	No
Connection Size (Ø)	1/2 BSP
Element Specification	
Rated Power Supply	N/a
Wattage (W)	N/a
Supplied with dual fuel T Piece	N/a
IP Rating	N/a



Dimensions
(measurements in mm)